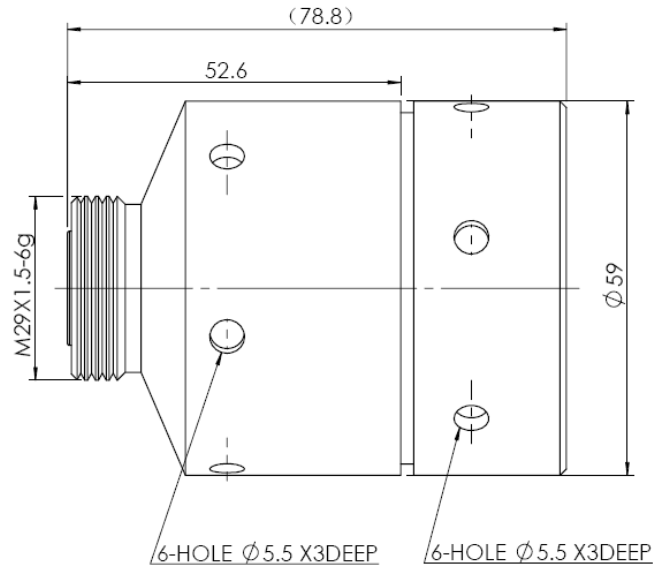


PRODUCT CODE: NKC 1158200.12

7-16 Female O-ring connectors for RFA and RFX 1 5/8"-50 cables



Dimensions mm

TECHNICAL SPECIFICATIONS

Electrical Specifications

Impedance	50 Ω
Frequency range	0 – 2.7 GHz
VSWR	≤1.08
Insertion loss (2GHz)	≤0.05
Contact resistance	
inner contact	< 0.8 mΩ
outer contact	< 0.2 mΩ
Insulation resistance	> 10 GΩ
Power rating	2.5KW@1GHz
Working voltage	< 2.7kVeff/50 Hz

Mechanical Specifications

Weight [g]	563g
Materials	
Spring contact	QBe2, Ag5 pleaded
Other metal parts	Brass, SnZn or Cu2Ni5 plated
Insulators	TPX
Gaskets	Silicon
Coupling Torque	20 Nm
Durability (mating cycles)	> 500
Standards	
Immersion test	IP68, IEC 529:1989, EN 60529
Mating interface	IEC 60169-4
Installation instructions	AFB220-4
Product marking	AFB220-4