

# Indoor Multi-band Omni Antenna Vertical Polarization

876–960

1710–2500

**KATHREIN**

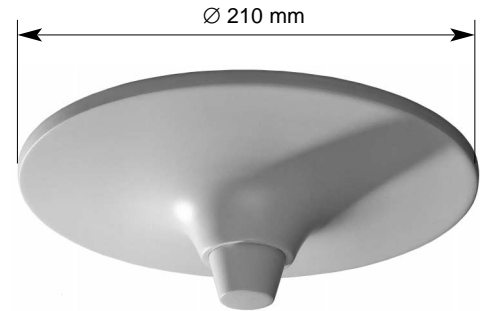
Antennen · Electronic

V

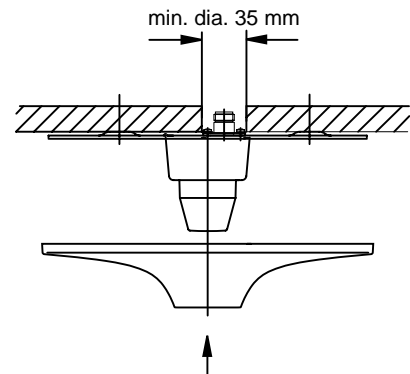
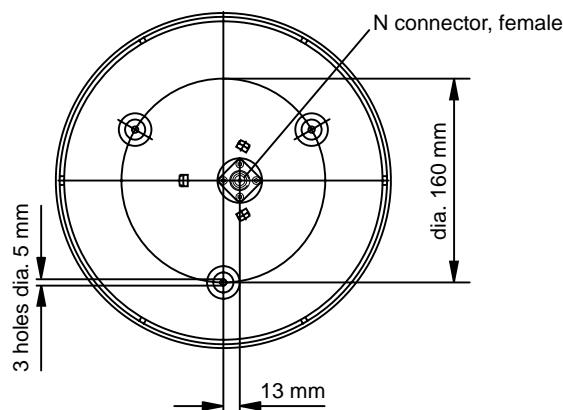
- The antennas need no additional groundplane.

## VPol Indoor 876–960/1710–2500 360° 2dBi

Type No.	800 10137
Frequency range	876 – 960 MHz 1710 – 2500 MHz
Polarization	Vertical
Gain	2 dBi
Impedance	50 Ω
VSWR	876 – 890 MHz: < 1.9 890 – 960 MHz: < 1.6 1710 – 2170 MHz: < 1.6 2170 – 2500 MHz: < 2.0
Max. power (per band)	50 W (at 50 °C ambient temperature)
Input	1 x N female
Weight	300 g
Diameter	210 mm
Height	78 mm (without connector)



- Material:** Base: Aluminum.  
Protective housing: High impact polystyrol, colour: White.  
Additional painting is possible.
- Mounting:** Three holes in the base enable a mounting on the ceiling. Two types of screws are supplied. For the N connector a hole in the ceiling with a diameter of 35 mm is required.
- Grounding:** All metal parts including the inner conductor are DC grounded.
- Available accessories:** Broadband power splitters and tappers (800 – 2500 MHz).



Clip the protective housing into position after the antenna has been mounted with the help of the three supplied screws.

936.2254/a Subject to alteration.