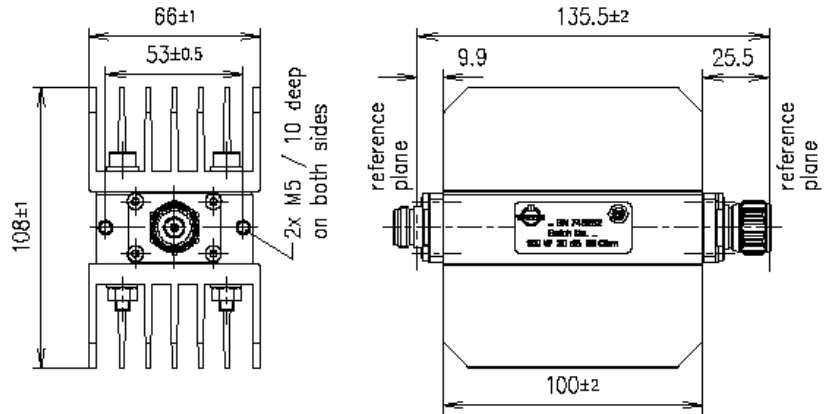
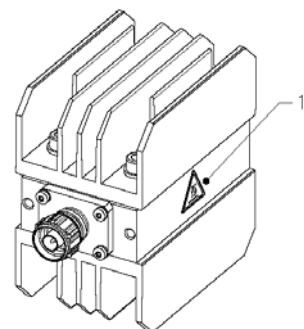
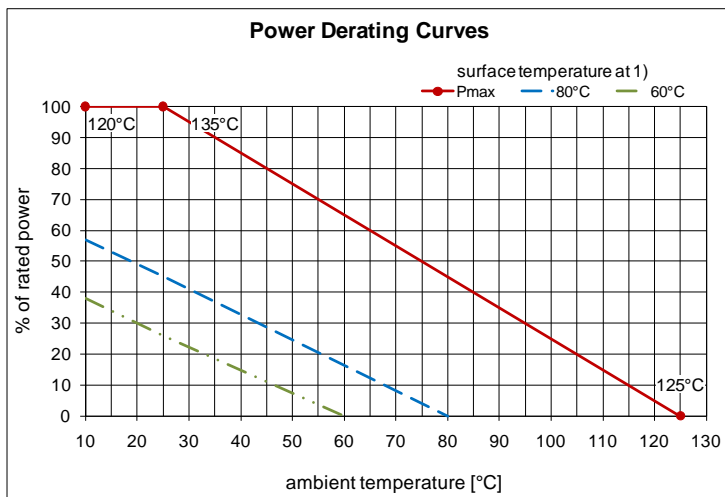


COAXIAL ATTENUATOR



Part number	BN 74 52 82			
Connectors	N socket / N plug			
Impedance	50 Ω			
Frequency range	0 - 1 GHz	≤ 1 - 2 GHz	≤ 2 - 3 GHz	≤ 3 - 4 GHz
VSWR	≤ 1.08	≤ 1.14	≤ 1.20	≤ 1.30
Attenuation	30 ± 1 dB			
Power rating				
Input	≤ 100 W in both directions 2)			
Material and surface				
Inner conductor	CuBe age hardened copper alloy		silver-plated silver-plated	
Outer conductor	copper alloy		CuSnZn-plated	
Housing	aluminium alloy			
Heat sink	aluminium alloy		anodised (black)	
Insulation	PTFE			
Other metal parts	copper alloy stainless steel		bright nickel-plated	
Degree of protection	IP50			
Standards	IEC 61169-16			
Ambient temperature	-40 °C - +25 °C full power 2)			
Weight	approx. 1.1 kg			
Operating position	any			



- 1) Measuring point for surface temperature, see graph
- 2) The maximum power handling is reduced with rising ambient temperatures, see graph