

# Indoor Multi-band Omni Antenna Vertical Polarization

790–960

1425–3800

5150–6000

**KATHREIN**

Antennen · Electronic

V

- The antenna can be operated in all frequency ranges simultaneously.
- The antennas need no additional groundplane.

## VPol Indoor 790–960/1425–3800/5150–6000 360° 2dBi

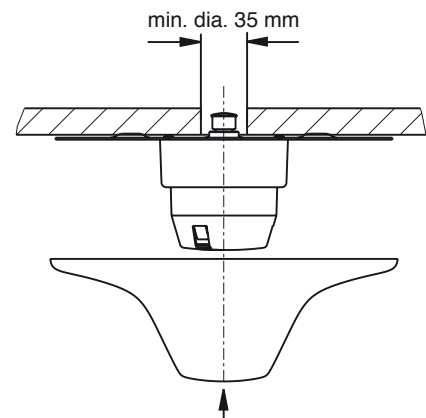
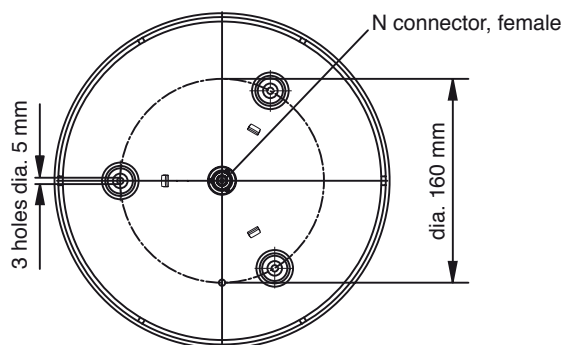
Type No.	<b>800 10249</b>
Frequency range	790 – 960 MHz 1425 – 3800 MHz 5150 – 6000 MHz
Polarization	Vertical
Gain	≈ 2 dBi
Impedance	50 Ω
VSWR	790 – 806 MHz: < 1.7 806 – 960 MHz: < 1.5 1425 – 1710 MHz: < 2.0 1710 – 2200 MHz: < 1.4 2200 – 3800 MHz: < 1.6 5150 – 6000 MHz: < 2.2
Max. power	50 W (at 50 °C ambient temperature)
Input	1 x N female
Protection class	IP 30
Weight	466 g
Packing size	277 x 277 x 169 mm
Diameter	258 mm
Height	94 mm (without connector)



Material: Reflector: Aluminum.  
Radome: High impact polystyrol, colour: White.  
Additional painting is possible.

Mounting: Three holes in the base enable a mounting on the ceiling. Two types of screws are supplied. For the N connector a hole in the ceiling with a diameter of 35 mm is required.

Available accessories: Broadband power splitters (694 – 3800 MHz) and tappers (790 – 2500 MHz).



Clip the protective housing into position after the antenna has been mounted with the help of the three supplied screws.

936.2506/c Subject to alteration.