

Rosenheim, 16.07.2007
MS/AG

Customer Information:

Product Replacement : 737 30x → 860 1010x

Version 2 – Enhanced frequency range

Kathrein is pleased to inform you about the new development of the low-loss multi-band power splitter family **860 1010x** for indoor and outdoor use. The scheduled product launch for the first types will be during 1st quarter 2008.

This newly developed splitter family 860 1010x will replace the splitter family 737 30x, which will be phased-out from July 1st 2008. The **advantages** of the new splitter family are the

- extended frequency range from 800-2200 MHz to **800-3800 MHz**
- lowered weight

The new splitter types, availability and the replaced splitter type numbers are listed in the table below:

Type No.	Availability	Replaced Type No.
860 10100	1. quarter 2008	737 303 / K 63 20 62 1
860 10101	1. quarter 2008	737 304 / K 63 20 62 7
860 10102	1. quarter 2008	737 305
860 10103	1. quarter 2008	737 306
860 10104	1. quarter 2008	737 307
860 10105	1. quarter 2008	737 308

Please take this product replacement for your next projects into consideration. If the replacement of the splitter family 737 30x is not possible for you, send your forecast or get in contact with your Kathrein contact person. If you have no Kathrein contact person please send an e-mail to antennas.mobilcom@kathrein.de.

Details about the electrical and mechanical **preliminary** specifications are listed in the attached datasheets.

Peter Scholz
Head of Sales and Technical Marketing
Mobile Communication Systems
Kathrein-Werke KG

Anton Guggenhuber
Manager of Sales and Technical Marketing
Mobile Communication Systems
Kathrein-Werke KG

Low-loss Power Splitters – Multi-band 800 – 3800 MHz 860 10100 ... 860 10105

For indoor and outdoor use.

2-way-Splitter 800–3800

3-way-Splitter 800–3800

4-way-Splitter 800–3800

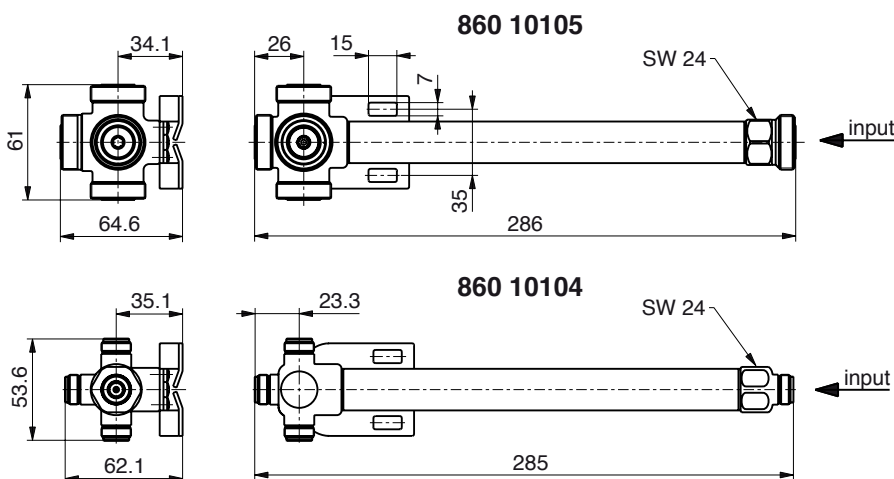
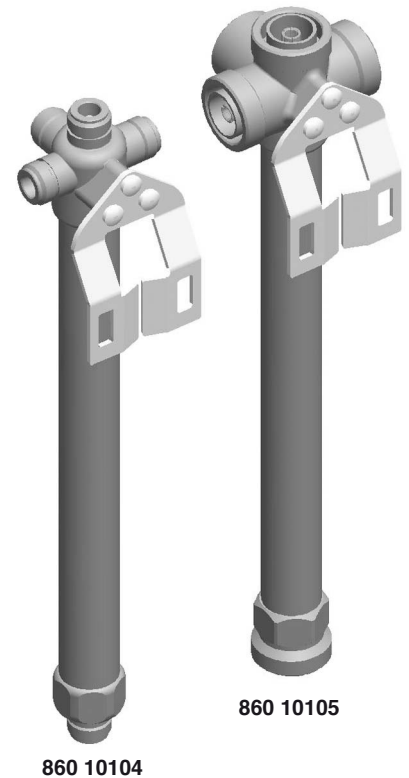
Type No.	860 10100	860 10101	860 10102	860 10103	860 10104	860 10105
Connector (female)	N	7-16	N	7-16	N	7-16
Max. power (at 50 °C ambient temperature)	200 W	700 W	200 W	700 W	200 W	700 W
For connecting ... antennas	2		3		4	
Frequency range	800 – 3800 MHz					
VSWR	< 1.15					
Intermodulation IM3	< -150 dBc (2 x 43 dBm carrier)					
Impedance	50 Ω					
Insertion loss	< 0.05 dB					
Weight	750 g	870 g	760 g	900 g	775 g	960 g
Packing size	300 x 75 x 75 mm					

Material: Brass.
Surface treatment: CuSnZn3

Mounting: Bracket for wall mounting included in the scope of supply.
For pipe mast mounting use clamps listed below (order separately).

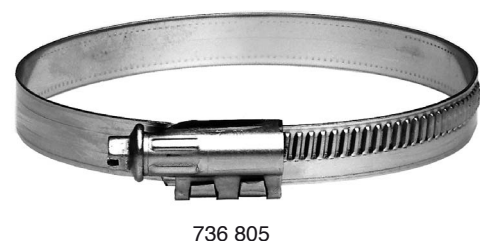
DC capability: DC transmission between all terminations (suitable for remote power supply systems).

Environmental conditions: ETS 300 019-1-4 class 4.1 E
– Low temperature: -55 °C
– High temperature (dry): +60 °C



Clamps (order separately)

Type No.	Description	Remarks
736 801	1 clamp	Mast: 34 – 60 mm diameter
736 802	1 clamp	Mast: 60 – 80 mm diameter
736 803	1 clamp	Mast: 80 – 100 mm diameter
736 804	1 clamp	Mast: 100 – 120 mm diameter
736 805	1 clamp	Mast: 120 – 140 mm diameter



936.A2459/b Subject to alteration.

Low-loss Power Splitters – Multi-band 800 – 2200 MHz

KATHREIN

Antennen · Electronic

737 303, 737 304, 737 305, 737 306, 737 307, 737 308

For indoor and outdoor use.

2-way-Splitter 800–2200

3-way-Splitter 800–2200

4-way-Splitter 800–2200

Type No.	737 303	737 304	737 305	737 306	737 307	737 308
Connector (female)	N	7-16	N	7-16	N	7-16
Max. power (at 50 °C ambient temperature)	200 W	700 W	200 W	700 W	200 W	700 W
For connecting ... antennas	2		3		4	
Frequency range	800 – 2200 MHz					
VSWR	< 1.15					
Intermodulation IM3 (2 x 43 dBm carrier)	< -150 dBc					
Impedance	50 Ω					
Insertion loss	< 0.05 dB					
Weight	appr. 1.5 kg					
Packing size	310 x 93 x 107 mm					
Max. size	294 / 82 / 82 mm					

Material: Housing: Aluminum.
Inner conductor: Brass.

Mounting: Bracket for wall mounting included in the scope of supply.
For pipe mast mounting use clamps listed below (order separately).

DC capability: DC transmission between all terminations (suitable for remote power supply systems).



Input
737 308

Clamps (order separately)

Type No.	Description	Remarks
736 801	1 clamp	Mast: 34 – 60 mm diameter
736 802	1 clamp	Mast: 60 – 80 mm diameter
736 803	1 clamp	Mast: 80 – 100 mm diameter
736 804	1 clamp	Mast: 100 – 120 mm diameter
736 805	1 clamp	Mast: 120 – 140 mm diameter



736 805

936.1059/e Subject to alteration.