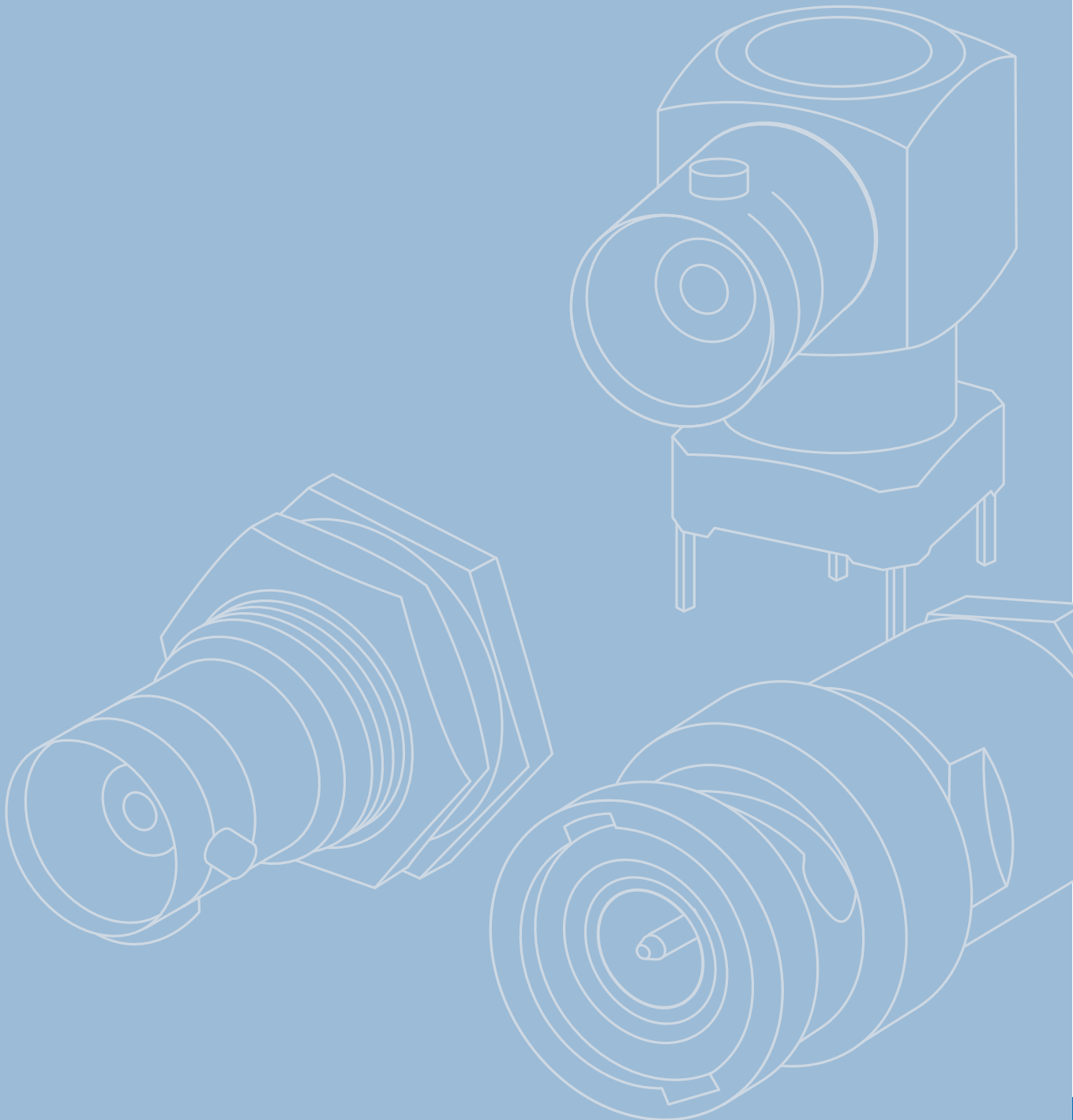


1

**BNC**  
**BNC**



# BNC

## BNC



1.1	BNC Straight Plug.....	48	1.1	BNC-Kabelstecker.....	48
1.2	BNC Straight Plug Crimp .....	50	1.2	BNC-Kabelstecker Crimp .....	50
1.3	BNC Angle Plug.....	54	1.3	BNC-Kabelwinkelstecker.....	54
1.4	BNC Angle Plug Crimp .....	56	1.4	BNC-Kabelwinkelstecker Crimp .....	56
1.5	BNC Straight Jack.....	58	1.5	BNC-Kabelbuchse.....	58
1.6	BNC Straight Jack Crimp.....	59	1.6	BNC-Kabelbuchse Crimp.....	59
1.7	BNC Bulkhead Jack.....	60	1.7	BNC-Kabeleinbaubuchse .....	60
1.8	BNC Bulkhead Jack Crimp .....	60	1.8	BNC-Kabeleinbaubuchse Crimp .....	60
1.9	BNC Panel Jack.....	62	1.9	BNC-Kabeleinbaubuchse mit Flansch .....	42
1.10	BNC Angle Bulkhead Jack Crimp.....	63	1.10	BNC-Kabelwinkeleinbaubuchse Crimp .....	63
1.11	BNC Bulkhead Socket.....	63	1.11	BNC-Einbaubuchse.....	63
1.12	BNC Bulkhead Socket, insulated .....	65	1.12	BNC-Einbaubuchse, isoliert.....	65
1.13	BNC Panel Socket.....	66	1.13	BNC-Einbaubuchse mit Flansch .....	66
1.14	BNC Bulkhead Receptacle with Switch .....	66	1.14	BNC-Einbaubuchse mit Schalter.....	66
1.15	BNC Bulkhead Receptacle, for Printed Circuits, insulated .....	67	1.15	BNC-Einbaubuchse für gedruckte Schaltungen, isolierter Einbau .....	67
1.16	BNC Angle Bulkhead Socket.....	69	1.16	BNC-Winkeleinbaubuchse .....	69
1.17	BNC Receptacle, female, for Printed Circuits.....	69	1.17	BNC-Buchse für gedruckte Schaltungen .....	69
1.18	BNC Angle Receptacle, female, for Printed Circuits .....	70	1.18	BNC-Winkelbuchse für gedruckte Schaltungen ..	70
1.19	BNC Adaptor.....	70	1.19	BNC-Kupplung .....	70
1.20	BNC Adaptor for Panel Mounting.....	71	1.20	BNC-Verbindungsstück.....	71
1.21	BNC Angle Adaptor.....	72	1.21	BNC-Winkelverbindungsstück.....	72
1.22	BNC T Adaptor.....	72	1.22	BNC-T-Stück .....	72
1.23	BNC Surge Suppressor.....	74	1.23	BNC-Überspannungsableiter.....	74
1.24	BNC Dust Cap .....	74	1.24	BNC-Abdeckkappe .....	74
1.25	BNC Termination Loads .....	75	1.25	BNC-Abschlusswiderstand .....	75
1.26	BNC Empty Box.....	76	1.26	BNC-Leergehäuse.....	76
1.27	BNC Attenuator/Through Termination .....	76	1.27	BNC-Dämpfungsglied / Durchgangsabschluss... 76	
1.28	BNC Patch Panel.....	77	1.28	BNC-Rangierverteiler .....	77

The BNC series is the most commonly used coax connector. With its bayonet coupling mechanism this connector can be used up to 4 GHz. Both 50 and 75 Ω impedances are available. Connector styles are available for flexible, conformable and semi-rigid cable types.

Versions of the BNC connector are available for mounting to printed circuit boards using both through-hole soldered and through-hole press-fit techniques. Both crimp and clamp cable termination processes are used for this series. BNC connectors are used for signal, data and video transmission applications.

Mating face sealing for BNC connectors between plug and jack (mated) according to IP 54. The classifications are general statements for the relevant series. Individual connectors may deviate from the values shown. If in doubt, please consult our engineers.

Die Serie BNC umfasst die am häufigsten verwendeten koaxialen Steckverbindungen, die bis zu einer Frequenz von 4 GHz eingesetzt werden. Sie verfügen über einen Bajonettverschluss und werden in den Ausführungen mit 50 Ω und 75 Ω Wellenwiderstand angeboten. Steckverbindervarianten gibt es für flexible, Semi-Flex- und Semi-Rigid-Kabel.

Die Leiterplattensteckverbinder der Serie BNC sind als Löt- bzw. Einpresstypen erhältlich. Kabel werden je nach Ausführung durch Crimpen, Klemmen oder Löten angeschlossen. Die Steckverbinder der Serie BNC werden in der Signal-, Daten- und Videoübertragung eingesetzt.

Diese Steckverbinder erfüllen die Querdichtigkeit im Steckgesicht zwischen Stecker und Buchse im gesteckten Zustand gemäß IP 54. Diese Schutzklasse ist pauschal für die Serie BNC festgelegt worden. Für einzelne Steckverbindungen kann es zu Abweichungen kommen. Im Zweifelsfall bitte anfragen.

**Mechanical Characteristics**

Durability (mating cycles).....	≥ 500.....	Lebensdauer (Steckungen)
Material: spring contacts .....	CuBe2; CuPb1.15Ni1 .....	Werkstoff: Federnde Kontakteile
Material: outer conductor .....	CuZn39Pb3 .....	Werkstoff: Außenleiter
Material: other metal parts .....	CuZn39Pb3 .....	Werkstoff: Sonstige Metallteile
Material: insulators.....	PTFE; PE .....	Werkstoff: Isolierteile
Material: gaskets .....	Silicone .....	Werkstoff: Dichtungen
Finish: Inner conductor.....	Cu1Ni2Au0.8 .....	Oberfläche: Innenleiter
Finish: Outer conductor .....	Cu2Ni5 .....	Oberfläche: Außenleiter
Finish: Other metal parts .....	Cu2Ni5 .....	Oberfläche: Sonstige Metallteile

**Mechanische Eigenschaften**

**Climatic Characteristics**

Climatic category acc. to IEC 60068 - 1 .....	40/155/21 .....	Prüfklasse nach DIN IEC 60068 Teil 1
Types with PTFE insulator.....	40/155/21 .....	Typen mit PTFE Isolierung
Types with PE insulator.....	40/75/21 .....	Typen mit PE Isolierung

**Thermische und klimatische Eigenschaften**

**Electrical Characteristics**

Contact resistance inner conductor.....	≤ 20 mΩ.....	Durchgangswiderstand Innenleiter
Contact resistance outer conductor.....	≤ 5 mΩ.....	Durchgangswiderstand Außenleiter
Insulation resistance.....	≥ 5 GΩ .....	Isolationswiderstand
Voltage proof.....	1.5 kVeff/50 Hz .....	Spannungsfestigkeit
Impedance.....	50 Ω/(75 Ω) .....	Wellenwiderstand
Return loss: Straight style .....	≥ 20 dB/3 GHz (50 Ω types).....	Rückflussdämpfung: Gerade Ausführung
Return loss: Angle style.....	≥ 17.7 dB/3 GHz (50 Ω types).....	Rückflussdämpfung: Winkel Ausführung
Working voltage .....	≤ 500 Veff/50 Hz .....	Betriebsspannung
Frequency range up to.....	4 GHz .....	Frequenzbereich bis

**Elektrische Eigenschaften**

**Standards**

IEC 61 169-8

**Normen**

IEC 61 169-8

The Return Loss values shown above correspond to the IEC Standard 61 169-8. In most cases, the RF connectors from Telegärtner fulfill or exceed these requirements. Depending on the design and cable type, however, particular connectors could deviate from the norm. The exact parameters of individual products are available upon request.

Die oben angeführten Rückflussdämpfungswerte entsprechen der IEC-Norm 61 169-8. Die Telegärtner-Steckverbinder erfüllen oder übertreffen in den meisten Fällen diese Normwerte. Je nach Ausführung und Kabeltype können einzelne Steckverbinder jedoch abweichen. Die genauen Parameter der einzelnen Produkte sind auf Anfrage erhältlich.

**Note**

Combination connectors and cable clamps can be utilised to create a further number of BNC connector variations.

**Hinweis**

Weitere BNC-Steckverbindervarianten können durch die Kombination von Normköpfen und Kabelabfahrungen zusammengestellt werden.

### BNC Mating Face 50 Ω

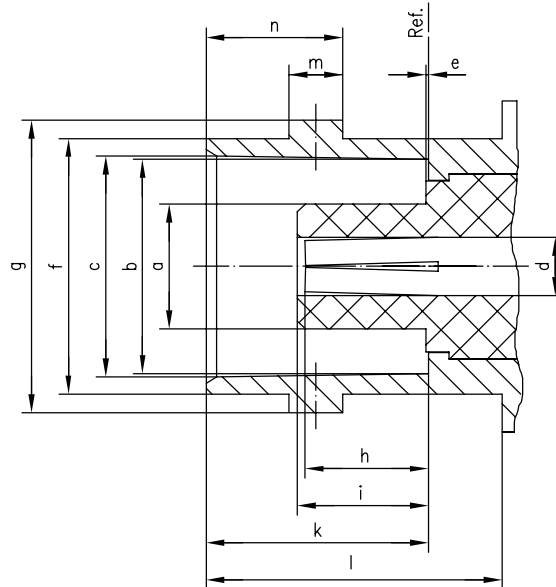
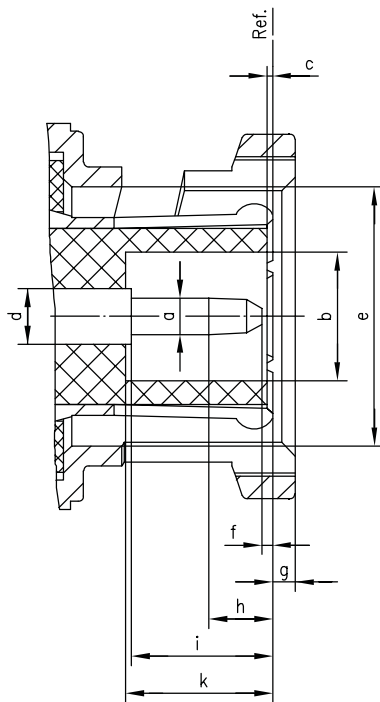
### BNC-Steckgesicht 50 Ω

Plug

Stecker

Jack

Buchse



	[ inch ]		[ mm ]	
	min.	max.	min.	max.
a	0.052	0.054	1.32	1.37
b	0.190	-	4.83	-
c	0.006	-	0.15	-
d	0.081	0.087	2.06	2.21
e	0.385	0.390	9.78	9.91
f	0.003	0.040	0.08	1.02
g	0.057	0.057	1.44	1.44
h	0.077	0.120	1.96	3.05
i	0.210	-	5.33	-
k	0.208	0.228	5.28	5.79

	[ inch ]		[ mm ]	
	min.	max.	min.	max.
a	-	0.186	-	4.72
b	0.319	0.321	8.10	8.15
c	0.327	0.333	8.31	8.46
d	0.074	0.090	1.88	2.29
e	-	0.006	-	0.15
f	0.378	0.382	9.60	9.70
g	0.432	0.436	10.97	11.07
h	0.179	0.206	4.55	5.23
i	-	0.208	-	5.28
k	0.327	0.335	8.31	8.51
l	0.414	-	10.52	-
m	0.075	0.081	1.91	2.05
n	0.204	0.208	5.18	5.28

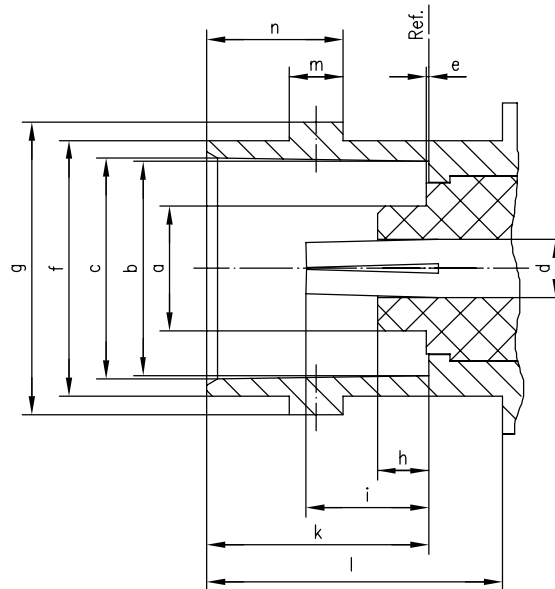
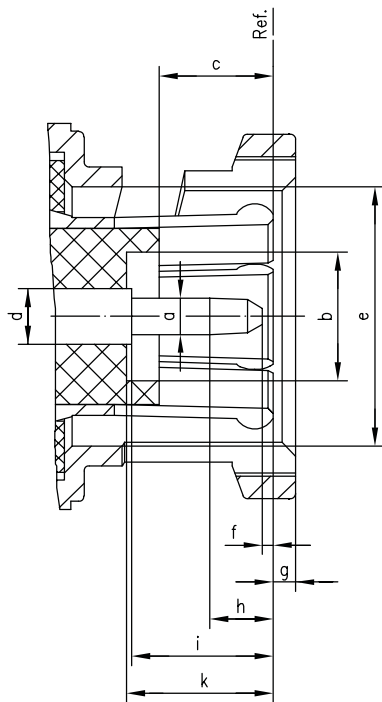
**BNC Mating Face 75 Ω**  
**BNC-Steckgesicht 75 Ω**

Plug

Stecker

Jack

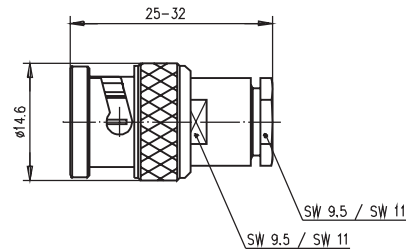
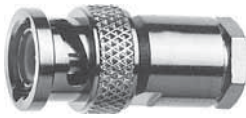
Buchse



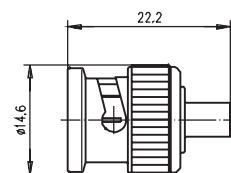
	[ inch ]		[ mm ]	
	min.	max.	min.	max.
a	0.052	0.054	1.32	1.37
b	0.190	-	4.83	-
c	0.169	0.208	4.30	5.30
d	0.081	0.087	2.06	2.21
e	0.385	0.390	9.78	9.91
f	0.003	0.040	0.08	1.02
g	0.057	0.057	1.44	1.44
h	-	0.152	-	3.86
i	0.210	-	5.33	-
k	0.208	0.228	5.28	5.79

	[ inch ]		[ mm ]	
	min.	max.	min.	max.
a	-	0.186	-	4.72
b	0.319	0.321	8.10	8.15
c	0.327	0.333	8.31	8.46
d	0.074	0.090	1.88	2.29
e	-	0.006	-	0.15
f	0.378	0.382	9.60	9.70
g	0.432	0.436	10.97	11.07
h	-	0.091	-	2.30
i	0.186	0.206	4.72	5.23
k	0.327	0.335	8.31	8.51
l	0.414	-	10.52	-
m	0.075	0.081	1.91	2.05
n	0.204	0.208	5.18	5.28

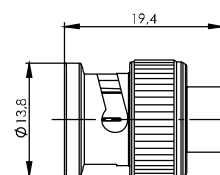
### BNC Straight Plug BNC-Kabelstecker



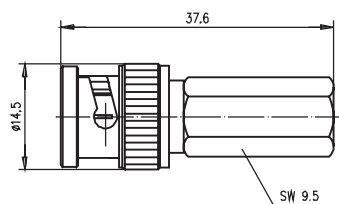
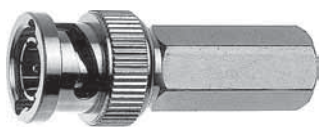
Order No. Bestell-Nr.	MIL-Std. MIL-Std.	Z Z	Cable group; cable Kabelgruppe; Kabel	Assembly Montage	Remarks Anmerkungen
J01000A0606	-	50 $\Omega$	G7 (RG-316/U)	A03	pressure sleeve <a href="#">Druckverschraubung</a>
J01000A0608	UG-88/U	50 $\Omega$	G1 (RG-58C/U); 1.0/2.95 AF	A01	pressure sleeve <a href="#">Druckverschraubung</a>
J01000B0608	UG-88C/U	50 $\Omega$	G1 (RG-58C/U); G5 (RG-223/U); RG-141A/U; RG-142B/U; 1.0/2.95 AF	A02	MIL-clamp <a href="#">MIL-Verschraubung</a>
J01000F0608	UG-88/U	50 $\Omega$	G1 (RG-58C/U)	A16	pressure sleeve; Low cost <a href="#">Druckverschraubung</a> ; <a href="#">Low Cost</a>
J01000A1321	-	50 $\Omega$	G3 (RG-178B/U)	A03	pressure sleeve <a href="#">Druckverschraubung</a>
J01002A0001	-	75 $\Omega$	G27 (1.0/4.6-6.7)	A02	pressure sleeve <a href="#">Druckverschraubung</a>
J01002A0609	UG-260/U	75 $\Omega$	G2 (RG-59B/U); G39 (0.8/3.7-615)	A01	pressure sleeve <a href="#">Druckverschraubung</a>
J01002F0609	UG-260/U	75 $\Omega$	G2 (RG-59B/U); G39 (0.8/3.7-615)	A16	pressure sleeve; Low cost <a href="#">Druckverschraubung</a> ; <a href="#">Low Cost</a>
J01002A1216	UG-260 B/U	75 $\Omega$	G2 (RG-59B/U); G39 (0.8/3.7-615); RG-71 B/U; RG-62A/U	A02	MIL-clamp <a href="#">MIL-Verschraubung</a>
J01002A1323	-	75 $\Omega$	G4 (RG-179B/U)	A03	pressure sleeve <a href="#">Druckverschraubung</a>



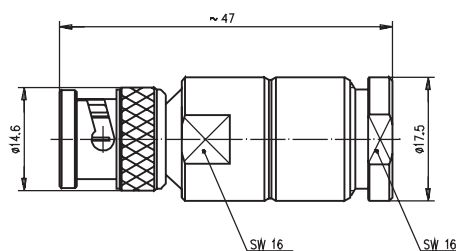
Order No. Bestell-Nr.	Z Z	Cable group; cable Kabelgruppe; Kabel	Assembly Montage
J01000A0026	50 $\Omega$	G11 (UT-85)	A17
J01000A0027	50 $\Omega$	G10 (UT-141)	A12



Order No. Bestell-Nr.	Z Z	Cable group; cable Kabelgruppe; Kabel	Assembly Montage
J01000A0067	50 $\Omega$	G9 (UT-250)	A19



Order No. Bestell-Nr.	Z Z	Cable group; cable Kabelgruppe; Kabel	Remarks Anmerkungen	Assembly Montage
J01002A0015	75 Ω	G2 (RG-59B/U)	Twist on	A13

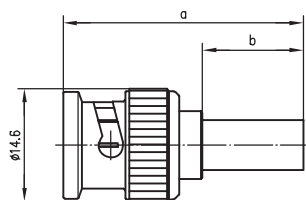


Order No. Bestell-Nr.	Z Z	Cable group; cable Kabelgruppe; Kabel	Remarks Anmerkungen	Assembly Montage	MIL-Std. MIL-Std.
J01000A1940	50 Ω	RG-213/U; RG-214/U; 9880	pressure sleeve Druckverschraubung	A05	UG-959/U
J01002A1940	75 Ω	G31 (RG-11A/U); G32 (RG-216/U); G48 (1.6/7.3)	pressure sleeve Druckverschraubung	A05	-

**BNC Straight Plug Crimp**  
**BNC-Kabelstecker Crimp**
**Technical Data**  
**Technische Daten**

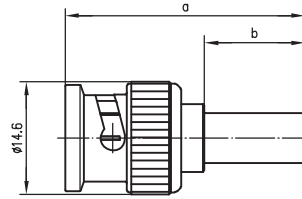
	Basic	Standard	Professional	MIL
<b>Mechanical Characteristics</b> <b>Mechanische Eigenschaften</b>				
Mating cycles (gold plating inner conductor) Steckzyklen (Goldaufgabe Innenleiter)	100 (0.2 µm)	1000 (0.8 µm)	1000 (0.8 µm)	2000 (1.27 µm)
Material: bayonet (coupling nut) Werkstoff: Bajonethülse	zinc diecast Zinkdruckguss	zinc diecast Zinkdruckguss	zinc diecast Zinkdruckguss	brass Messing
Material: outer conductor Werkstoff: Außenleiter	brass Messing	brass Messing	brass Messing	brass Messing
Material: coupling spring Werkstoff: Federscheibe	copper beryllium Kupferberyllium	copper beryllium Kupferberyllium	copper beryllium Kupferberyllium	copper beryllium Kupferberyllium
Material: inner conductor Werkstoff: Innenleiter	brass Messing	brass Messing	brass Messing	brass Messing
Material: crimp ferrule Werkstoff: Crimprohr	copper Kupfer	copper Kupfer	copper Kupfer	copper Kupfer
Material: insulators Werkstoff: Isolierungen	PE-LD	PE-LD	PTFE	PTFE
Plating finish: Bayonet (Coupling nut) Oberfläche: Bajonethülse	Nickel	Nickel	Nickel	Nickel
Finish: Outer conductor Oberfläche: Außenleiter	Nickel	Nickel	Nickel	Nickel
Finish: Inner conductor Oberfläche: Innenleiter	Gold (0.2 µ)	Gold (0.8 µ)	Gold (0.8 µ)	Gold (1.27 µ)
Finish: Crimp ferrule Oberfläche: Crimprohr	Nickel	Nickel	Nickel	Nickel
<b>Climatic Characteristics</b> <b>Thermische und klimatische Eigenschaften</b>				
Temperature range Temperaturbereich	-40/75	-40/75	-65/165	-65/165
<b>Electrical Characteristics</b> <b>Elektrische Eigenschaften</b>				
Contact resistance inner conductor (initial) Durchgangswiderstand Innenleiter (im Neuzustand)	≤ 0.9 mΩ	≤ 0.9 mΩ	≤ 0.9 mΩ	≤ 0.9 mΩ
Contact resistance outer conductor Durchgangswiderstand Außenleiter (im Neuzustand)	≤ 0.2 mΩ	≤ 0.2 mΩ	≤ 0.2 mΩ	≤ 0.2 mΩ
Insulation resistance Isolationswiderstand	5 GΩ	5 GΩ	5 GΩ	5 GΩ
Voltage proof Spannungsfestigkeit	1.5 kV	1.5 kV	1.5 kV	1.5 kV
Impedance Wellenwiderstand	50 Ω / 75 Ω	50 Ω / 75 Ω	50 Ω / 75 Ω	50 Ω / 75 Ω
Working voltage Betriebsspannung	500 Veff / 50 Hz	500 Veff / 50 Hz	500 Veff / 50 Hz	500 Veff / 50 Hz
Frequency range Frequenzbereich	4 GHz	4 GHz	4 GHz	4 GHz
VSWR (50 Ω Types) VSWR (50 Ω Typen)	≤ 1.25 / 1 GHz	≤ 1.25 / 1 GHz (50 Ω)	≤ 1.25 / 1 GHz	≤ 1.25 / 1 GHz



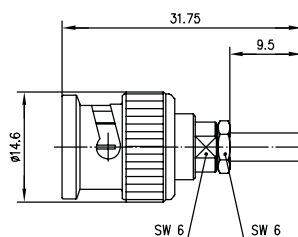


Order No. Bestell-Nr.	Z Z	Cable group; cable Kabelgruppe; Kabel	Remarks Anmerkungen	Dimensions Abmessungen	Assembly Montage	Crimp die Crimpeinsatz	MIL-Std. MIL-Std.
J01000A0042	50 $\Omega$	G7 (RG-316/U); G29 (0.45/1.4)	crimp/crimp Professional	a=29, b=9.5	A2616	N01001A0009	
J01000A0043	50 $\Omega$	G8 (RD-316)	crimp/crimp Professional	a=29, b=9.5	A2620	N01001A0014	
J01000A1255	50 $\Omega$	G1 (RG-58C/U)	crimp/crimp Professional	a=31, b=13	A0205	N01001A0005	UG-1785/U
J01000F1255	50 $\Omega$	G1 (RG-58C/U)	crimp/crimp Standard	a=31, b=13	A0205	N01001A0005	
J01000L1255	50 $\Omega$	G1 (RG-58C/U)	crimp/crimp Basic	a=28, b=13	A2805	N01001A0005	
J01000M1255	50 $\Omega$	G1 (RG-58C/U)	crimp/crimp MIL	a=31, b=13	A0205	N01001A0005	
J01000A1256	50 $\Omega$	G5 (RG-223/U)	crimp/crimp Professional	a=31.5, b=13.5	A0205	N01001A0005	UG-1786/U
J01000A0008	50 $\Omega$	RG142B/U; 1.0/2.95 AF	crimp/crimp Professional	a=31.5, b=13.5	A0205	N01001A0005	
J01000A0049	50 $\Omega$	G30 (1.5/3.8); LMR-240	crimp/crimp Professional	a=31, b=13	A0231	N01001A0056	
J01000A0050	50 $\Omega$	3D-2V	crimp/crimp Professional	a=31, b=13	A0205	N01001A0005	
J01002A0058	75 $\Omega$	G4 (RG-179B/U)	crimp/crimp HDTV $\geq 29$ dB / 3 GHz; Professional	a=27.5, b=9.5	A4216	N01001A0009	
J01002A0057	75 $\Omega$	G49 (0.3/1.6D)	crimp/crimp; Professional	a=29, b=9.5	A2620	N01001A0014	
J01002A1350	75 $\Omega$	G13 (0.4/2.5 *); G50 (0.45/2.0-3.4)	crimp/crimp Professional	a=31, b=13	A0204	N01001L1274	
J01002A0040	75 $\Omega$	02YS12YC(MS) C6Y 0.45/2.0-3.8 Leoni; 2YCCY 0.4/2.5-4.5	crimp/crimp Professional	a=31, b=13	A0204	N01001L1274	
J01002A0019	75 $\Omega$	G15 (0.5/2.95)	crimp/crimp Professional	a=31, b=13	A0205	N01001A0005	
J01002A0005	75 $\Omega$	0.5/2.9-4.8D; G 03213 D Suhner	crimp/crimp; Professional	a=31.5, b=13.5	A0205	N01001A0005	
J01002A0030	75 $\Omega$	G41 (0.6/2.8-4.7)	crimp/crimp Professional	a=31, b=13	A0205	N01001A0005	
J01002B0018	75 $\Omega$	G41 (0.6/2.8-4.7)	crimp/crimp HDTV $\geq 30$ dB / 3 GHz Professional	a=31, b=13	A4227	N01001A0039	
J01002A0028	75 $\Omega$	BT 2002	crimp/crimp Professional	a=31, b=13	A0205	N01001A0005	
J01002A1352	75 $\Omega$	G16 (0.6/3.7D)	crimp/crimp Professional	a=31, b=13	A0231	N01001A0056	
J01002F1352	75 $\Omega$	G16 (0.6/3.7D)	crimp/crimp Standard	a=31, b=13	A0231	N01001A0056	
J01002L1352	75 $\Omega$	G16 (0.6/3.7D)	crimp/crimp Basic	a=28, b=13	A2831	N01001A0056	
J01002M1352	75 $\Omega$	G16 (0.6/3.7D)	crimp/crimp MIL	a=31, b=13	A0231	N01001A0056	
J01002A1288	75 $\Omega$	G2 (RG-59 B/U)	crimp/crimp Professional	a=31, b=13	A0231	N01001A0056	UG-1789/U

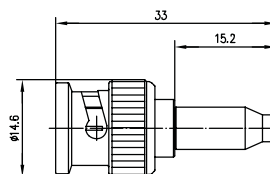
### BNC Straight Plug Crimp BNC-Kabelstecker Crimp



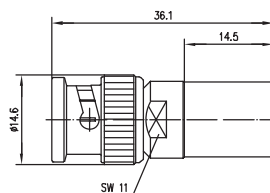
Order No. Bestell-Nr.	Z Z	Cable group; cable Kabelgruppe; Kabel	Remarks Anmerkungen	Dimensions Abmessungen	Assembly Montage	Crimp die Crimpeinsatz	MIL-Std. MIL-Std.
J01002F1288	75 Ω	G2 (RG-59 B/U)	crimp/crimp Standard	a=31, b=13	A0231	N01001A0056	
J01002L1288	75 Ω	G2 (RG-59 B/U)	crimp/crimp Basic	a=28, b=13	A2831	N01001A0056	
J01002M1288	75 Ω	G2 (RG-59 B/U)	crimp/crimp MIL	a=31, b=13	A0231	N01001A0056	
J01002A1261	75 Ω	RG 62 A/U	crimp/crimp Professional	a=31, b=13	A0331	N01001A0056	
J01002F1261	75 Ω	RG 62 A/U	crimp/crimp Standard	a=31, b=13	A0331	N01001A0056	
J01002L1261	75 Ω	RG 62 A/U	crimp/crimp Basic	a=28, b=13	A2731	N01001A0056	
J01002B1352	75 Ω	RG-71B/U	crimp/crimp Standard	a=31, b=13	A0331	N01001A0056	
J01002A0016	75 Ω	G39 (0.8/3.7-6.15)	crimp/crimp Standard	a=31, b=13	A0231	N01001A0056	
J01002A0055	75 Ω	G39 (0.8/3.7-6.15)	crimp/crimp HDTV ≥ 30 dB / 3 GHz Professional	a=31, b=31	A4231	N01001A0056	
J01002A0031	75 Ω	G35 (0.8/3.7-7.3)	crimp/crimp Professional	a=31.5, b=13.5	A0208	N01001J1274	
J01002A0013	75 Ω	G17 (0.8/4.9 DZ)	crimp/crimp Professional	a=31, b=13	A0208	N01001J1274	
J01002A0000	75 Ω	G27 (1.0/4.6-6.7)	crimp/crimp Professional	a=31, b=13	A0207	N01001A0004	
J01002A0056	75 Ω	G27 (1.0/4.6-6.7)	crimp/crimp HDTV ≥ 30 dB / 3 GHz Professional	a=31, b=13	A4207	N01001A0004	
J01002A0072	75 Ω	G51 (1.0/4.6-7.7)	crimp/crimp HDTV ≥ 31 dB / 3 GHz; Professional	a=31.5; b=13.5	A4208	N01001J1274	
J01002A0073	75 Ω	G53 (1.2/4.9D)	crimp/crimp HDTV ≥ 28 dB / 3 GHz; Professional	a=31.5; b=13.5	A4208	N01001J1274	
J01002A0002	75 Ω	1.0/6.6	crimp/crimp Professional	a=31, b=13	A0210	N01001I1274	
J01002A0010	75 Ω	G40 (1.2/4.9)	crimp/crimp Professional	a=31, b=13	A0207	N01001A0004	
J01002A0075	75 Ω	0.41/1.9 AF; 0.45U/1.9-2.9 VMM5x75Y	crimp/crimp	a=27.3, b=9.5	A4235	N01001A0018	
J01002A0074	75 Ω	G12 (0.315/1.95-37); TZC 750 24	crimp/crimp	a=27.3, b=9.5	A4235	N01001A0018	



Order No. Bestell-Nr.	Z Z	Cable group; cable Kabelgruppe; Kabel	Remarks Anmerkungen	Assembly Montage	Crimp die Crimpeinsatz
J01000B0018	50 Ω	G3 (RG-178B/U)	crimp/crimp; Professional	A2913	N01001A0010
J01000A1294	50 Ω	G7 (RG-316/U); G29 (0.45/1.4)	crimp/crimp; Professional	A2903	N01001A0009
J01000L1294	50 Ω	G7 (RG-316/U); G29 (0.45/1.4)	crimp/crimp; Basic	A2903	N01001A0009
J01000B0022	50 Ω	G8 (RD-316)	crimp/crimp Professional	A2914	N01001A0014
J01000D1293	50 Ω	G14 (0.5/2.0-4.6)	crimp/crimp; Professional	A3005	N01001A0005
J01002B0026	75 Ω	G19 (0.4/1.8)	crimp/crimp; Professional	A2903	N01001A0009
J01002A0051	75 Ω	0.37/1.6-2.4 CV8A4C8P MULTICORE 8-fach	crimp/crimp; Professional	A2903	N01001A0009



Order No. Bestell-Nr.	Z Z	Cable group; cable Kabelgruppe; Kabel	Remarks Anmerkungen	Assembly Montage	Crimp die Crimpeinsatz
J01000A0040	50 Ω	G7 (RG-316/U)	crimp/crimp; Standard; Low cost type f < 500 MHz	A2505	N01001A0005
J01002A0036	75 Ω	G4 (RG-179B/U)	crimp/crimp; Standard	A2505	N01001A0005
J01002A0053	75 Ω	0.36L/1.6; 0.38L/1.6; 0.38L/1.7	crimp/crimp	A2505	N01001A0005

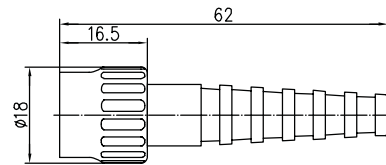


Order No. Bestell-Nr.	Z Z	Cable group; cable Kabelgruppe; Kabel	Remarks Anmerkungen	Assembly Montage	Crimp die Crimpeinsatz
J01000A0059	50 Ω	RG 213/U	crimp/crimp; Professional	A3312	N01001D1274
J01000A0063	50 Ω	G42 (2.7/7.1); AA-58886	crimp/crimp; outer conductor Telealloy crimp/crimp; Außenleiter Telealloy	A3326	N01001A0030
J01000A0060	50 Ω	RG 214/U; RG 393/U	crimp/crimp; Professional	A3312	N01001D1274
J01000A0061	50 Ω	G37 (2.7/7.25)	crimp/crimp; Professional	A3326	N01001A0030
J01002A0046	75 Ω	G31 (RG-11A/U)	crimp/crimp; Professional	A3318	N01001A0011
J01002A0047	75 Ω	G32 (RG-216/U)	crimp/crimp; Professional	A3318	N01001A0011
J01002A0054	75 Ω	G48 (1.6/7.3)	crimp/crimp HDTV ≥ 32 dB / 3 GHz; Professional	A3312	N01001D1274

## 1.2

### BNC Straight Plug Crimp

#### BNC-Kabelstecker Crimp

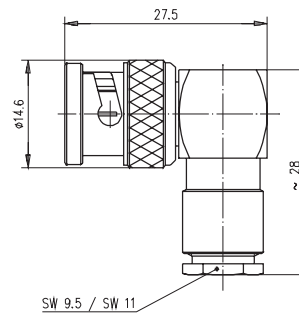


Order No. Bestell-Nr.	Z Z	Cable group; cable Kabelgruppe; Kabel	Remarks Anmerkungen	Assembly Montage	Crimp die Crimpeinsatz
J01000A0014	50 Ω	G1 (RG-58C/U)	crimp/crimp, insulated crimp/crimp, isoliert	A0205	N01001A0005
J01002A0079	75 Ω	G2 (RG-59 B/U)	crimp/crimp, insulated crimp/crimp, isoliert	A0231	N01001A0056

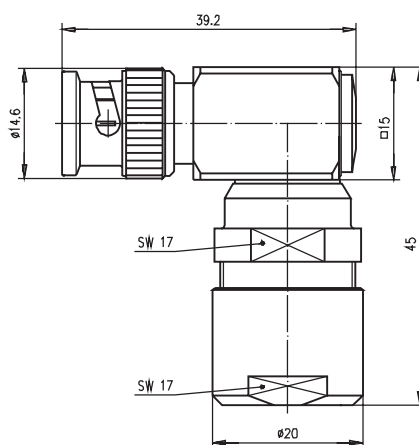
## 1.3

### BNC Angle Plug

#### BNC-Kabelwinkelstecker

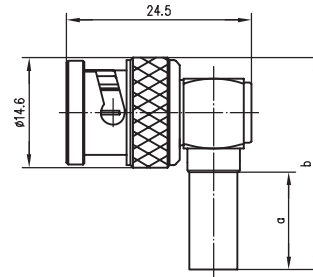
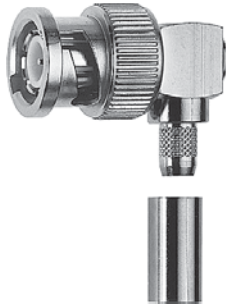


Order No. Bestell-Nr.	Z Z	Cable group; cable Kabelgruppe; Kabel	Remarks Anmerkungen	Assembly Montage	MIL-Std. MIL-Std.
J01000A0005	50 Ω	G3 (RG-178B/U)	pressure sleeve Druckverschraubung	A07	
J01000A0006	50 Ω	G7 (RG- 316/U)	pressure sleeve Druckverschraubung	A07	
J01000A0007	50 Ω	G1 (RG-58C/U); G5 (RG-223/U) RG-141A/U; RG-142B/U; 1.0/2.95 AF	MIL-clamp MIL-Verschraubung	A06	
J01000A0805	50 Ω	G1 (RG-58C/U); 1.0/2.95 AF; RG-141A/U; RG-142B/U	pressure sleeve Druckverschraubung	A06	UG-913/U
J01002A0003	75 Ω	G2 (RG-59B/U); G39 (0.8/3.7-615)	MIL-clamp MIL-Verschraubung	A06	
J01002A1217	75 Ω	G2 (RG-59B/U); G39 (0.8/3.7-615)	pressure sleeve Druckverschraubung	A06	
J01002A1316	75 Ω	RG-62A/U	pressure sleeve Druckverschraubung	A06	



Order No. Bestell-Nr.	Z Z	Cable group; cable Kabelgruppe; Kabel	Remarks Anmerkungen	Assembly Montage
J01000A0029	50 Ω	RG-214/U; RG-216/U; RG-393/U	pressure sleeve Druckverschraubung	D04
J01000A1195	50 Ω	G37 (2.7/7.25); G42 (2.7/7.1); RG-213/U; AA 5886; LMR-400	pressure sleeve Druckverschraubung	D04

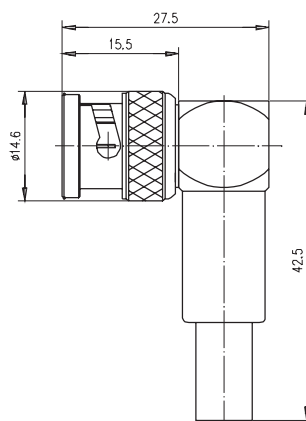
### BNC Angle Plug Crimp BNC-Kabelwinkelstecker Crimp



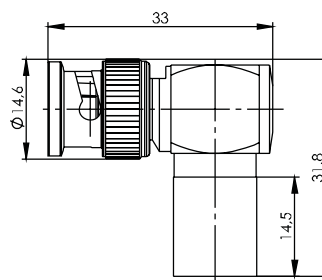
Order No. Bestell-Nr.	Z Z	Cable group; cable Kabelgruppe; Kabel	Remarks Anmerkungen	Dimensions Abmessungen	Assembly Montage	Crimp die Crimpeinsatz
J01000A0010	50 Ω	G7 (RG-316/U)	solder/crimp löt/crimp	a=9.5, b=24.7	A0503	N01001A0009
J01000A0033	50 Ω	G8 (RD-316)	solder/crimp löt/crimp	a=9.5, b=24.7	A0520	N01001A0014
J01000A1257	50 Ω	G1 (RG-58C/U)	solder/crimp löt/crimp	a=13, b=28.2	A0505	N01001A0005
J01000A1258	50 Ω	G5 (RG-223/U)	solder/crimp löt/crimp	a=13.5, b=28.7	A0505	N01001A0005
J01000A0054	50 Ω	G30 (1.5/3.8); LMR-240	solder/crimp löt/crimp	a=13, b=28.2	A0531	N01001A0056
J01002A0027	75 Ω	G4 (RG-179B/U); 0.36L/1.6; 0.38L/1.6; 0.38L/1.7	solder/crimp löt/crimp	a=9.5, b=24.7	A0503	N01001A0009
J01002A0029	75 Ω	G13 (0.4/2.5 *); G50 (0.45/2.0-3.4)	solder/crimp löt/crimp	a=13, b=28.2	A0504	N01001L1274
J01002A1356	75 Ω	G2 (RG-59B/U); G39 (0.8/3.7-615)	solder/crimp löt/crimp	a=13, b=28.2	A0531	N01001A0056
J01002B1356	75 Ω	G2 (RG-59B/U); G39 (0.8/3.7-615)	solder/crimp with screw cap löt/crimp mit Schraubkappe	a=13, b=28.2	A0531	N01001A0056
J01002A0042	75 Ω	G12 (0.315/1.95-3.7); TZC 75 24	solder/crimp löt/crimp	a=13, b=28.2	A0504	N01001L1274
J01002A0045	75 Ω	BT 2002	solder/crimp löt/crimp	a=13, b=28.2	A0505	N01001A0005
J01002A0021	75 Ω	G15 (0.5/2.95)	solder/crimp löt/crimp	a=13, b=28.2	A0505	N01001A0005

\*) also suitable for the following cables: 02YS (ST) CH 0.45/2.0-3.4 Leoni; 02Y (ST) CH 0.45/2.0-3.4 Bedea; 02Y (ST) CY 0.45/2.0-3.4 Siemens; 2.5C-2V; NCX1 391300 0.53/2.45-3.6 Filotex; RG-180B/U; RG-195A/U

\*) auch passend für folgende Kabel: 02YS (ST) CH 0.45/2.0-3.4 Leoni; 02Y (ST) CH 0.45/2.0-3.4 Bedea; 02Y (ST) CY 0.45/2.0-3.4 Siemens; 2.5C-2V; NCX1 391300 0.53/2.45-3.6 Filotex; RG-180B/U; RG-195A/U

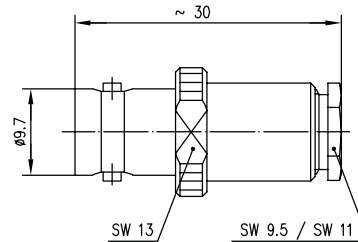
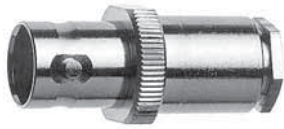


Order No. Bestell-Nr.	Z Z	Cable group; cable Kabelgruppe; Kabel	Remarks Anmerkungen	Assembly Montage	Crimp die Crimpeinsatz
J01000A0024	50 Ω	G1 (RG-58C/U)	crimp/crimp	A0605	N01001A0005
J01002A1266	75 Ω	RG-62A/U	crimp/crimp	A0731	N01001A0056
J01002A1354	75 Ω	G16 (0.6/3.7D)	crimp/crimp	A0631	N01001A0056
J01002A1377	75 Ω	G2 (RG-59B/U)	crimp/crimp	A0631	N01001A0056

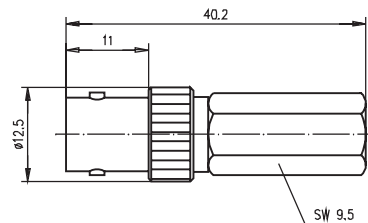
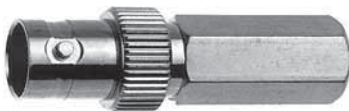


Order No. Bestell-Nr.	Z Z	Cable group; cable Kabelgruppe; Kabel	Remarks Anmerkungen	Assembly Montage	Crimp die Crimpeinsatz
J01000A0064	50 Ω	G37 (2.7/7.25)	solder/crimp löt/crimp	B1812	N01001D1274
J01000A0065	50 Ω	RG-214/U; RG-393/U	solder/crimp löt/crimp	B1812	N01001D1274
J01000A0066	50 Ω	RG-213/U; G42 (2.7/7.1)	solder/crimp löt/crimp	B1812	N01001D1274

### BNC Straight Jack BNC-Kabelbuchse



Order No. Bestell-Nr.	Z Z	Cable group; cable Kabelgruppe; Kabel	Remarks Anmerkungen	Assembly Montage	MIL-Std. MIL-Std.
J01001A0033	50 $\Omega$	G3 (RG-178B/U)	pressure sleeve Druckverschraubung	A09	
J01001A0032	50 $\Omega$	G7 (RG-316/U)	pressure sleeve Druckverschraubung	A09	
J01001A0804	50 $\Omega$	G1 (RG-58C/U)	pressure sleeve Druckverschraubung	A08	UG-89/U
J01001A1226	50 $\Omega$	G1 (RG-58C/U); G5 (RG-223/U); RG-141A/U; RG-142B/U; 1.0/2.95 AF	MIL-clamp MIL-Verschraubung	A10	UG-89B/U
J01003A0011	75 $\Omega$	G2 (RG-59B/U); G39 (0.8/3.7-615)	MIL-clamp MIL-Verschraubung	A10	UG-261B/U
J01003A0014	75 $\Omega$	G4 (RG-179B/U)	pressure sleeve Druckverschraubung	A09	
J01003A1227	75 $\Omega$	G2 (RG-59B/U)	pressure sleeve Druckverschraubung	A08	UG-261/U
J01003A1320	75 $\Omega$	RG-62A/U	MIL-clamp MIL-Verschraubung	A10	

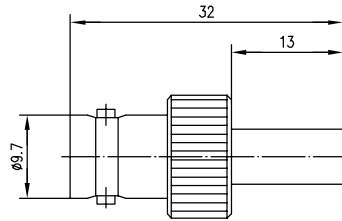


Order No. Bestell-Nr.	Z Z	Cable group; cable Kabelgruppe; Kabel	Remarks Anmerkungen	Assembly Montage
J01003A0020	75 $\Omega$	G2 (RG-59B/U); RG-62A/U	Twist on	A13

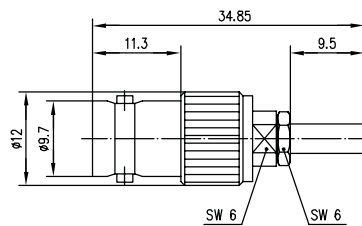


**BNC Straight Jack Crimp  
BNC-Kabelbuchse Crimp**

1.6

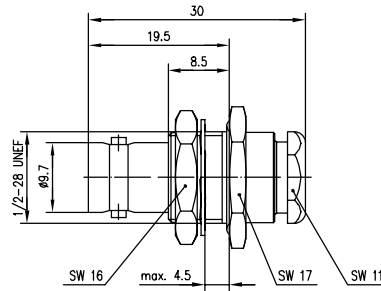


Order No. Bestell-Nr.	Z Z	Cable group; cable Kabelgruppe; Kabel	Remarks Anmerkungen	Assembly Montage	Crimp die Crimpeinsatz	MIL-Std. MIL-Std.
J01001A1265	50 Ω	G1 (RG-58C/U)	crimp/crimp	A0805	N01001A0005	UG-1794/U
J01001A1287	50 Ω	G5 (RG-223/U)	crimp/crimp	A0805	N01001A0005	
J01001A0073	50 Ω	G30 (1.5/3.8); LMR-240	crimp/crimp	A0831	N01001A0056	
J01003A1262	75 Ω	RG-62A/U	crimp/crimp	A0931	N01001A0056	
J01003A1353	75 Ω	G16 (0.6/3.7D)	crimp/crimp	A0831	N01001A0056	
J01003A1369	75 Ω	G2 (RG-59B/U)	crimp/crimp	A0831	N01001A0056	
J01003A0031	75 Ω	G13 (0.4/2.5); G50 (0.45/2.0-3.4)	crimp/crimp	A0804	N0100111274	
J01003A0048	75 Ω	G41 (0.6/2.8-4.7)	crimp/crimp	A0805	N01001A0005	



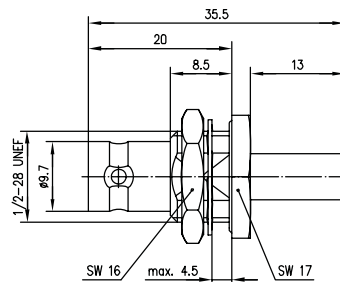
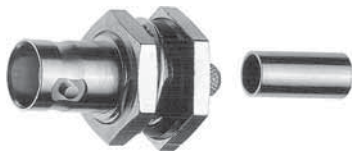
Order No. Bestell-Nr.	Z Z	Cable group; cable Kabelgruppe; Kabel	Remarks Anmerkungen	Assembly Montage	Crimp die Crimpeinsatz
J01001B0060	50 Ω	G3 (RG-178B/U)	crimp/crimp	A2913	N01001A0010
J01001B0005	50 Ω	G7 (RG-316/U)	crimp/crimp	A2903	N01001A0009
J01001B0061	50 Ω	G8 (RD-316)	crimp/crimp	A2914	N01001A0014
J01003B0021	75 Ω	G4 (RG-179B/U); 0.36L/1.6; 0.38L/1.6; 0.38L/1.7	crimp/crimp	A2903	N01001A0009
J01003A0041	75 Ω	G12 (0.315/1.95-3.7); T2C 750 24	crimp/crimp	A2904	N0100111274

## 1.7

BNC Bulkhead Jack  
BNC-Kabeleinbaubuchse

Order No. Bestell-Nr.	Z Z	Cable group; cable Kabelgruppe; Kabel	Remarks Anmerkungen	Mount. dim. Einbaumaß	Assembly Montage	MIL-Std. MIL-Std.
J01001A1319	50 Ω	G3 (RG-178B/U)	pressure sleeve IP 54 Druckverschraubung IP 54	Z04	A04	
J01001A1318	50 Ω	G7 (RG-316/U)	pressure sleeve IP 54 Druckverschraubung IP 54	Z04	A04	
J01001A1223	50 Ω	G1 (RG-58C/U); G5 (RG-223/U); RG-141A/U; RG-142B/U; 1.0/2.95 AF	MIL-clamp; IP 54 MIL-Verschraubung; IP 54	Z04	A11	UG-909/U
J01001A0051	50 Ω	G11 (UT-85)	MIL-clamp; IP 54 MIL-Verschraubung; IP 54	Z04	A15	
J01003A1327	75 Ω	G4 (RG-179B/U)	pressure sleeve IP 54 Druckverschraubung IP 54	Z04	A04	
J01003A1224	75 Ω	G2 (RG-59B/U); G39 (0.8/3.7-615)	MIL-clamp; IP 54 MIL-Verschraubung; IP 54	Z04	A11	UG-910 B/U
J01003A1328	75 Ω	RG-62A/U; RG-71B/U	pressure sleeve IP 54 Druckverschraubung IP 54	Z04	A11	
B00031D1275			insulator, colour: transparent Isolierscheibe, Farbe: natur	Z52		

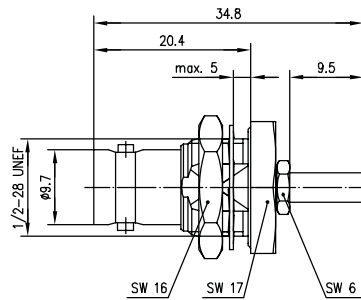
## 1.8

BNC Bulkhead Jack Crimp  
BNC-Kabeleinbaubuchse Crimp

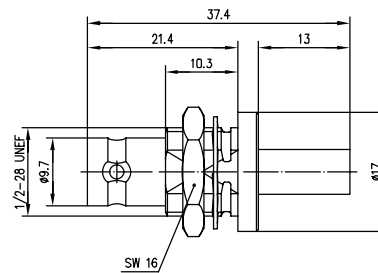
Order No. Bestell-Nr.	Z Z	Cable group; cable Kabelgruppe; Kabel	Remarks Anmerkungen	Mount. dim. Einbaumaß	Assembly Montage	Crimp die Crimpeinsatz
J01001A1379	50 Ω	G1 (RG-58C/U)	crimp/crimp	Z04	A1105	N01001A0005
J01001A0034	50 Ω	G5 (RG-223/U)	crimp/crimp	Z04	A1105	N01001A0005
J01003A1260	75 Ω	RG-62A/U	crimp/crimp	Z04	A1231	N01001A0056
J01003A1348	75 Ω	G2 (RG-59B/U)	crimp/crimp	Z04	A1131	N01001A0056
J01003A0035	75 Ω	G13 (0.4/2.5 *); G50 (0.45/2.0-3.4)	crimp/crimp	Z04	A1104	N01001L1274
J01003A0053	75 Ω	G41 (0.6/2.8-4.7))	crimp/crimp	Z04	A1105	N01001A0005
J01003A1361	75 Ω	G16 (0.6/3.7D)	crimp/crimp	Z04	A1131	N01001A0056

\*) also suitable for the following cables: 02YS (ST) CH 0.45/2.0-3.4 Leoni;  
02Y (ST) CH 0.45/2.0-3.4 Bedea; 02Y (ST) CY 0.45/2.0-3.4 Siemens; 2.5C-2V;  
NCX1 391300 0.53/2.45-3.6 Filotex; RG-180B/U; RG-195A/U

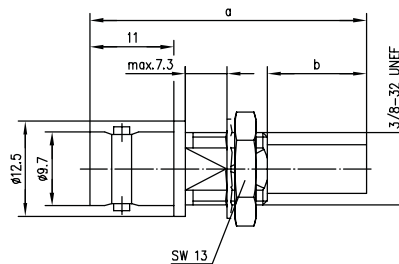
\*) auch passend für folgende Kabel: 02YS (ST) CH 0.45/2.0-3.4 Leoni;  
02Y (ST) CH 0.45/2.0-3.4 Bedea; 02Y (ST) CY 0.45/2.0-3.4 Siemens; 2.5C-2V;  
NCX1 391300 0.53/2.45-3.6 Filotex; RG-180B/U; RG-195A/U



Order No. Bestell-Nr.	Z Z	Cable group; cable Kabelgruppe; Kabel	Remarks Anmerkungen	Mount. dim. Einbaumaß	Assembly Montage	Crimp die Crimpeinsatz
J01001B0059	50 Ω	G3 (RG-178B/U)	crimp/crimp	Z04	A2913	N01001A0010
J01001C0028	50 Ω	G7 (RG-316/U)	crimp/crimp	Z04	A2903	N01001A0009
J01001C0045	50 Ω	G8 (RD-316)	crimp/crimp	Z04	A2914	N01001A0014
J01003B5032	75 Ω	G4 (RG-179B/U); 0.36L/1.6; 0.38L/1.6;	crimp/crimp	Z04	A2903	N01001A0009
J01003B0015	75 Ω	G12 (0.315/1.95-3.7)	crimp/crimp	Z04	A2904	N01001L1274



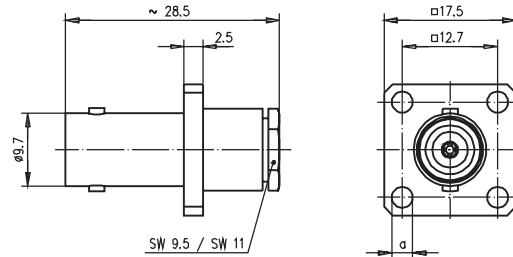
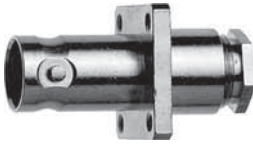
Order No. Bestell-Nr.	Z Z	Cable group; cable Kabelgruppe; Kabel	Remarks Anmerkungen	Mount. dim. Einbaumaß	Assembly Montage	Crimp die Crimpeinsatz
J01001A0056	50 Ω	G1 (RG-58C/U)	crimp/crimp; insulating flange crimp/crimp; Isolierflansch	Z04	A1305	N01001A0005
J01001A0084	50 Ω	G5 (RG-223/U)	crimp/crimp; insulating flange crimp/crimp; Isolierflansch	Z04	A1305	N01001A0005
J01003A0001	75 Ω	G2 (RG-59B/U)	crimp/crimp; insulating flange crimp/crimp; Isolierflansch	Z04	A1331	N01001A0056
J01003A0002	75 Ω	RG-62A/U	crimp/crimp; insulating flange crimp/crimp; Isolierflansch	Z04	A1431	N01001A0056
J01003A0003	75 Ω	G16 (0.6/3.7D)	crimp/crimp; insulating flange crimp/crimp; Isolierflansch	Z04	A1331	N01001A0056



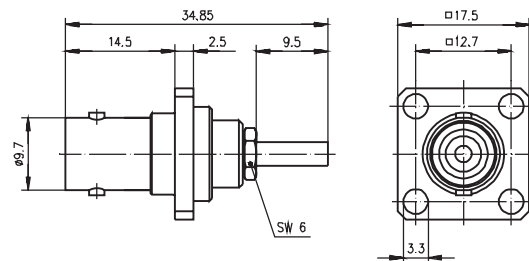
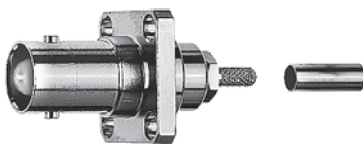
Order No. Bestell-Nr.	Z Z	Cable group; cable Kabelgruppe; Kabel	Remarks Anmerkungen	Mount. dim. Einbaumaß	Dimensions Abmessungen	Assembly Montage	Crimp die Crimpeinsatz
J01001A0078	50 Ω	G1 (RG-58C/U)	crimp/crimp	Z01	a=36.3, b=13	A1305	N01001A0005
J01001A0083	50 Ω	G5 (RG-223/U)	crimp/crimp	Z01	a=36.8, b=13.5	A1305	N01001A0005
B00031D1275			insulator, colour: transparent Isolierscheibe, Farbe: natur	Z52			

### BNC Panel Jack

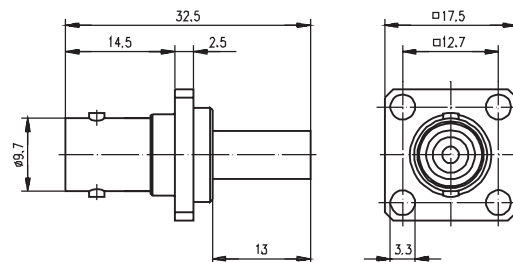
#### BNC-Kabeleinbaubuchse mit Flansch



Order No. Bestell-Nr.	Z Z	Cable group; cable Kabelgruppe; Kabel	Remarks Anmerkungen	Dimensions Abmessungen	Mount. dim. Einbaumaß	Assembly Montage	MIL-Std. MIL-Std.
J01001A0036	50 Ω	G3 (RG-178B/U)	pressure sleeve IP 54 Druckverschraubung IP 54	a=3-56"=M2.5	Z05	A09	
J01001A0014	50 Ω	G7 (RG-316/U)	pressure sleeve IP 54 Druckverschraubung IP 54	a=ø2.8	Z05	A09	
J01001A0035	50 Ω	G7 (RG-316/U)	pressure sleeve IP 54 Druckverschraubung IP 54	a=3-56"=M2.5	Z05	A09	
J01001A0611	50 Ω	G1 (RG-58C/U); G5 (RG-223/U); 1.0/2.95 AF	MIL-clamp; IP 54 MIL-Verschraubung; IP 54	a=3-56"=M2.5	Z05	A10	UG-291 B/U
J01001A0695	50 Ω	G1 (RG-58C/U); 1.0/2.95 AF	pressure sleeve IP 54 Druckverschraubung IP 54	a=ø3.2	Z05	A10	
J01003A0012	75 Ω	G2 (RG-59B/U); G39 (0.8/3.7-615); RG-62A/U	MIL-clamp; IP 54 MIL-Verschraubung; IP 54	a=3-56"=M2.5	Z05	A10	UG-262 B/U



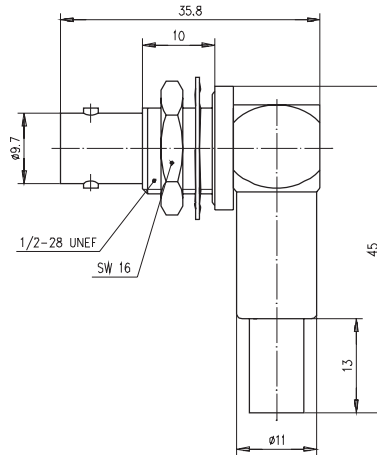
Order No. Bestell-Nr.	Z Z	Cable group; cable Kabelgruppe; Kabel	Mount. dim. Einbaumaß	Assembly Montage	Crimp die Crimpeinsatz
J01001B0041	50 Ω	G7 (RG-316/U)	Z54	A2903	N01001A0009



Order No. Bestell-Nr.	Z Z	Cable group; cable Kabelgruppe; Kabel	Mount. dim. Einbaumaß	Assembly Montage	Crimp die Crimpeinsatz
J01001A0079	50 Ω	G1 (RG-58C/U)	Z54	A1005	N01001A0005
J01001A0080	50 Ω	G5 (RG-223/U)	Z54	A1005	N01001A0005

**BNC Angle Bulkhead Jack Crimp  
BNC-Kabelwinkeleinbaubuchse Crimp**

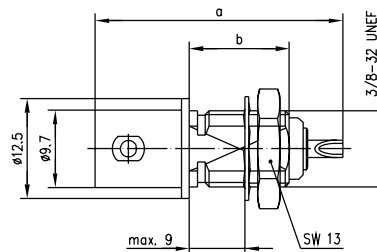
1.10



Order No. Bestell-Nr.	Z Z	Cable group; cable Kabelgruppe; Kabel	Remarks Anmerkungen	Mount. dim. Einbaumaß	Assembly Montage	Crimp die Crimpeinsatz
J01001A0055	50 Ω	G1 (RG-58C/U)	crimp/crimp; >28 dB/1 GHz; >9 dB/3 GHz	Z04	A0605	N01001A0005
J01003A1371	75 Ω	G2 (RG-59B/U)	crimp/crimp; >28 dB/1 GHz; >9 dB/3 GHz	Z04	A0731	N01001A0056
B00031D1275			insulator, colour: transparent Isolierscheibe, Farbe: natur	Z52		

**BNC Bulkhead Socket  
BNC-Einbaubuchse**

1.11

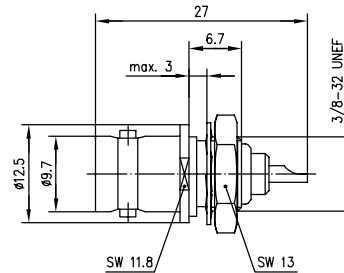


Order No. Bestell-Nr.	Z Z	Dimensions Abmessungen	Mount. dim. Einbaumaß	MIL-Std. MIL-Std.	Remarks Anmerkungen
J01001B0615	50 Ω	a=27, b=6.5	Z01	UG-1094/U	inner conductor silver plated Innenleiter versilbert
J01001A0053	50 Ω	a=27, b=6.5	Z01		inner conductor gold plated Innenleiter vergoldet
J01001A0615	50 Ω	a=31, b=12.5	Z01	UG-1094B/U	
J01003A0619	75 Ω	a=27, b=6.5	Z01		
J01003A1218	75 Ω	a=31, b=12.5	Z01		

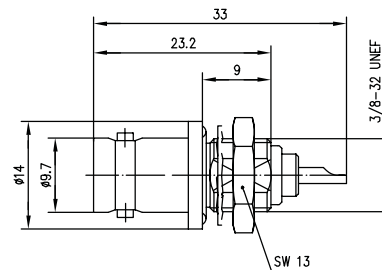
1.11

### BNC Bulkhead Socket

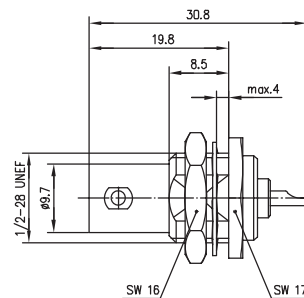
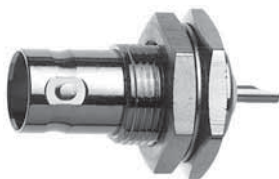
#### BNC-Einbaubuchse



Order No. Bestell-Nr.	Z Z	Mount. dim. Einbaumaß	MIL-Std. MIL-Std.
J01001A1219	50 $\Omega$	Z03	UG-625B/U
J01003A1220	75 $\Omega$	Z03	



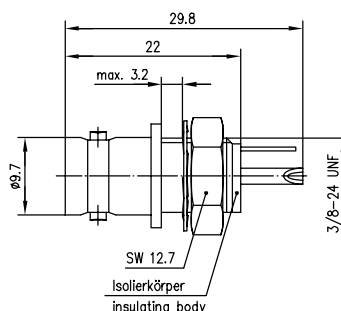
Order No. Bestell-Nr.	Z Z	Remarks Anmerkungen	Mount. dim. Einbaumaß	MIL-Std. MIL-Std.
J01001A0614	50 $\Omega$	with panel seal, barrier sealed mit Dichtring, längsdicht	Z02	UG-657/U
J01003A1221	75 $\Omega$	with panel seal, barrier sealed mit Dichtring, längsdicht	Z02	



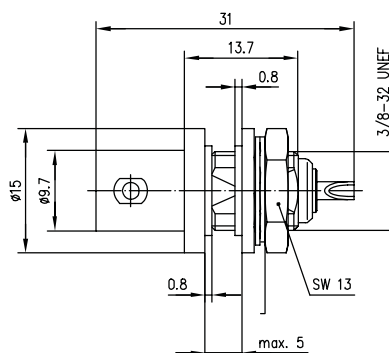
Order No. Bestell-Nr.	Z Z	Mount. dim. Einbaumaß
J01001A1225	50 $\Omega$	Z04
J01003A0027	75 $\Omega$	Z04

**BNC Bulkhead Socket, insulated  
BNC-Einbaubuchse, isoliert**

1.12



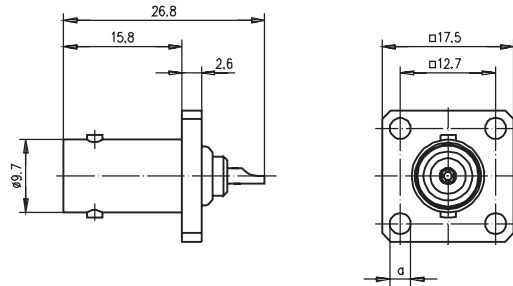
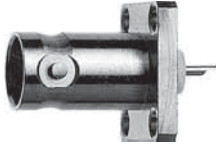
Order No. Bestell-Nr.	Z Z	Remarks Anmerkungen	Mount. dim. Einbaumaß
J01001A0043	50 $\Omega$	with white insulating flange mit Isolierflansch weiß	Z113
J01001B0043	50 $\Omega$	with blue insulating flange mit Isolierflansch blau	Z113
J01001C0043	50 $\Omega$	with red insulating flange mit Isolierflansch rot	Z113
J01001D0043	50 $\Omega$	with black insulating flange mit Isolierflansch schwarz	Z113



Order No. Bestell-Nr.	Z Z	Remarks Anmerkungen	Mount. dim. Einbaumaß
J01001A1222	50 $\Omega$	with black insulating washers mit Isolierscheiben schwarz	Z03
J01001B1222	50 $\Omega$	with white insulating washers mit Isolierscheiben weiß	Z03
J01001C1222	50 $\Omega$	with red insulating washers mit Isolierscheiben rot	Z03
J01001D1222	50 $\Omega$	with blue insulating washers mit Isolierscheiben blau	Z03
J01001F1222	50 $\Omega$	with green insulating washers mit Isolierscheiben grün	Z03
J01003A1286	75 $\Omega$	with black insulating washers mit Isolierscheiben schwarz	Z03
J01003B1286	75 $\Omega$	with white insulating washers mit Isolierscheiben weiß	Z03
J01003C1286	75 $\Omega$	with red insulating washers mit Isolierscheiben rot	Z03
J01003D1286	75 $\Omega$	with blue insulating washers mit Isolierscheiben blau	Z03
J01003E1286	75 $\Omega$	with green insulating washers mit Isolierscheiben grün	Z03

## 1.13

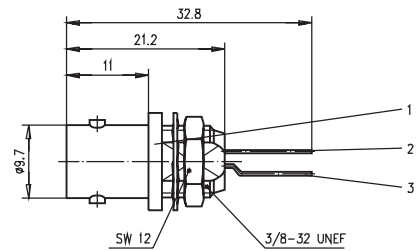
### BNC Panel Socket BNC-Einbaubuchse mit Flansch



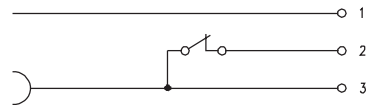
Order No. Bestell-Nr.	Z Z	Dimensions Abmessungen	Mount. dim. Einbaumaß	MIL-Std. MIL-Std.
J01001A0612	50 Ω	a=∅2.8	Z05	
J01001A0613	50 Ω	a=3-56" = M 2.5	Z05	UG-290/U
J01001A0698	50 Ω	a=∅3.2	Z05	
J01003A1228	75 Ω	a=3-56" = M 2.5	Z05	
J01003A1937	75 Ω	a=∅3.2	Z05	

## 1.14

### BNC Bulkhead Receptacle with Switch BNC-Einbaubuchse mit Schalter



Schalter wird durch Stecker betätigt

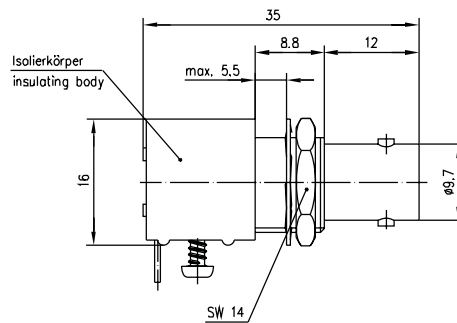
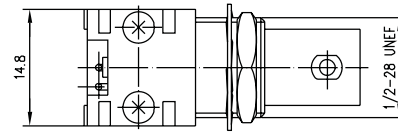


Order No. Bestell-Nr.	Remarks Anmerkungen	Mount. dim. Einbaumaß
J01001A0042	Switch opened by mating connector Öffner wird durch Stecken betätigt	Z01/Z57

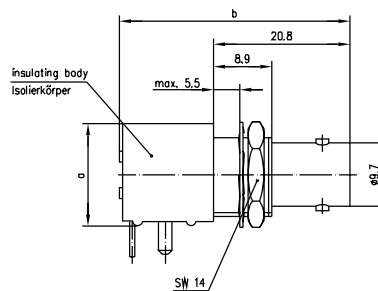
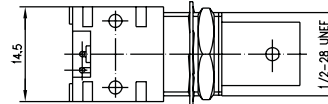


**BNC Bulkhead Receptacle, for Printed Circuits, insulated**  
**BNC-Einbaubuchse für gedruckte Schaltungen, isolierter Einbau**

1.15



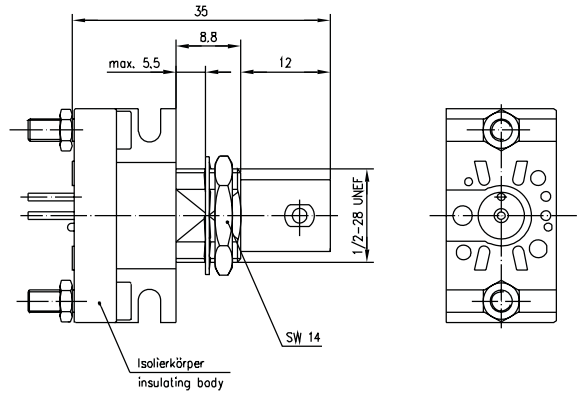
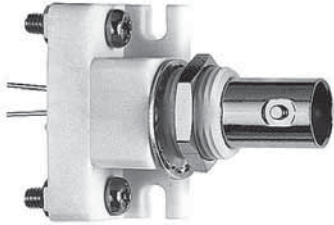
Order No. Bestell-Nr.	Z Z	Remarks Anmerkungen	Mount. dim. Einbaumaß
J01001A0037	50 $\Omega$	without fixing pins with fastening screws, solder pin 90° ohne Fixierstifte mit Befestigungsschrauben, Lötpin 90°	Z04/Z34



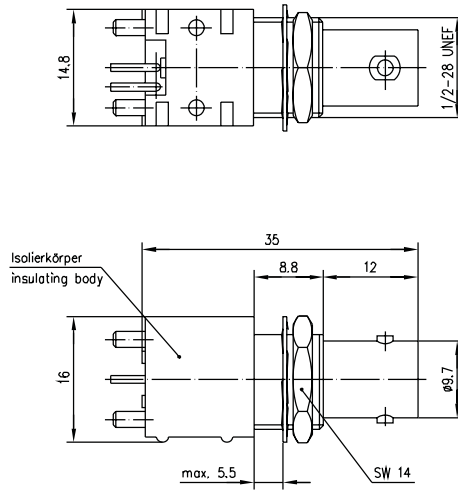
Order No. Bestell-Nr.	Z Z	Remarks Anmerkungen	Dimensions Abmessungen	Mount. dim. Einbaumaß
J01001A0038		with fixing pins without fastening screws Mit Fixierstiften ohne Befestigungsschrauben, Lötpin 90°	a=16, b=35	Z51/Z34
J01001F0000	50 $\Omega$	with fixing pins without fastening screws Mit Fixierstiften ohne Befestigungsschrauben, Lötpin 90°	a=13, b=34.5	Z04/Z34

1.15

**BNC Bulkhead Receptacle, for Printed Circuits, insulated**  
**BNC-Einbaubuchse für gedruckte Schaltungen, isolierter Einbau**



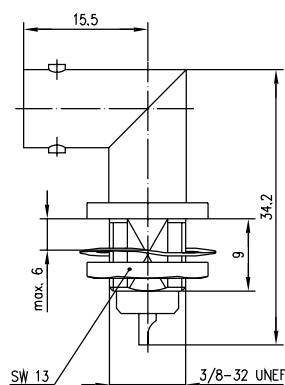
Order No. Bestell-Nr.	Z Z	Remarks Anmerkungen	Mount. dim. Einbaumaß
J01001A0040	50 Ω	with fastening screws, solder pin straight mit Befestigungsschrauben, Lötpin gerade	Z04/Z33



Order No. Bestell-Nr.	Z Z	Remarks Anmerkungen	Mount. dim. Einbaumaß
J01001F0002	50 Ω	with fixing pins, solder pin straight mit Fixierstiften, Lötpin gerade	Z04/Z42

**BNC Angle Bulkhead Socket  
BNC-Winkeleinbaubuchse**

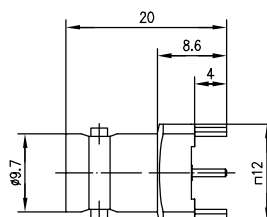
1.16



Order No. Bestell-Nr.	Z	Mount. dim. Einbaumaß	MIL-Std. MIL-Std.
J01001A1235	50 Ω	Z01	UG-1098/U

**BNC Receptacle, female, for Printed Circuits  
BNC-Buchse für gedruckte Schaltungen**

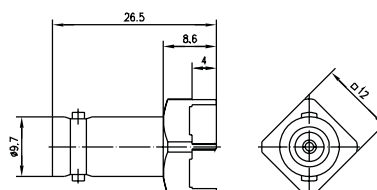
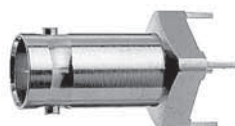
1.17



Order No. Bestell-Nr.	Z	Mount. dim. Einbaumaß
J01001A1944	50 Ω	Z06
J01003A1946	75 Ω	Z06

Other lengths on request.

Andere Längen auf Anfrage.

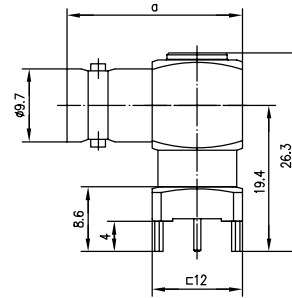


Order No. Bestell-Nr.	Z	Mount. dim. Einbaumaß
J01001A1945	50 Ω	Z06
J01003A1947	75 Ω	Z06

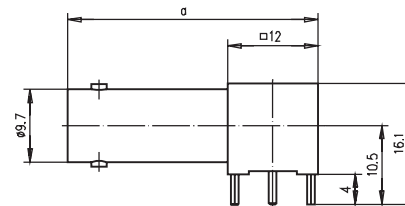
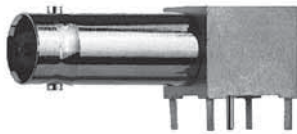
Other lengths on request.

Andere Längen auf Anfrage.

## 1.18

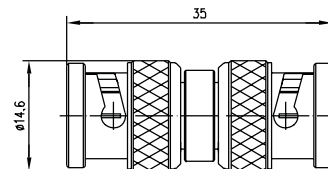
BNC Angle Receptacle, female, for Printed Circuits  
BNC-Winkelbuchse für gedruckte Schaltungen

Order No. Bestell-Nr.	Z Z	Dimensions Abmessungen	Mount. dim. Einbaumaß
J01001A1948	50 $\Omega$	a=23	Z06
J01001A0064	50 $\Omega$	a=30	Z06
J01003A1949	75 $\Omega$	a=23	Z06
J01003A0018	75 $\Omega$	a=30	Z06

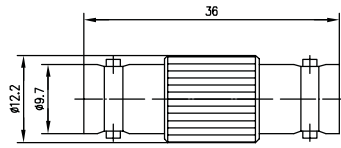
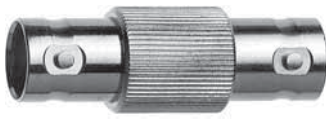


Order No. Bestell-Nr.	Z Z	Dimensions Abmessungen	Mount. dim. Einbaumaß
J01003A0030	75 $\Omega$	a=33.3	Z06

## 1.19

BNC Adaptor  
BNC-Kupplung

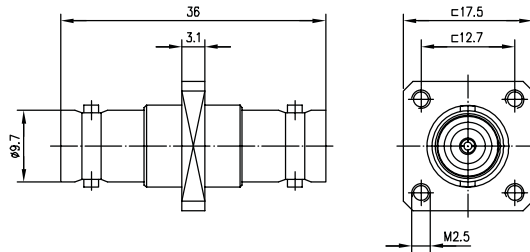
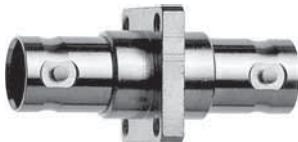
Order No. Bestell-Nr.	Z Z	Remarks Anmerkungen	Return Loss Return Loss	MIL-Std. MIL-Std.
J01004A0806	50 $\Omega$	m-m Sti-Sti	34 dB/1 GHz; 29 dB/4 GHz	UG-491A/U
J01005A1230	75 $\Omega$	m-m Sti-Sti		



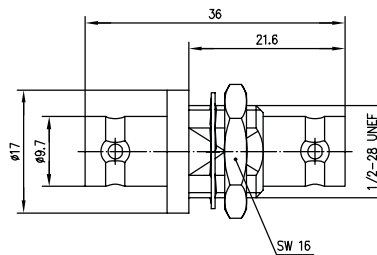
Order No. Bestell-Nr.	Z Z	Remarks Anmerkungen	MIL-Std. MIL-Std.
J01004A0618	50 Ω	f-f Bu-Bu	UG-914/U
J01005A0006	75 Ω	f-f; HDTV ≥ 30 dB / 3 GHz Bu-Bu; HDTV ≥ 30 dB / 3 GHz	

**BNC Adaptor for Panel Mounting  
BNC-Verbindungsstück**

1.20



Order No. Bestell-Nr.	Z Z	Remarks Anmerkungen	Mount. dim. Einbaumaß	MIL-Std. MIL-Std.
J01004A1231	50 Ω	f-f Bu-Bu	Z05	UG-414A/U
J01005A1232	75 Ω	f-f Bu-Bu	Z05	

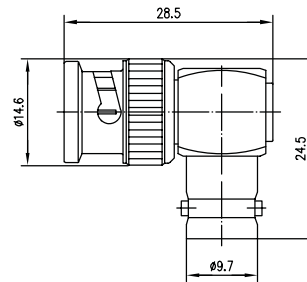


Order No. Bestell-Nr.	Z Z	Remarks Anmerkungen	Mount. dim. Einbaumaß	Return Loss Return Loss	MIL-Std. MIL-Std.
J01004A1233	50 Ω	f-f Bu-Bu	Z04	27 dB/1 GHz; 23 dB/4 GHz	UG-492A/U
J01004A1333	50 Ω	f-f; insulating flange Bu-Bu; Isolierflansch	Z04	≥ 30 dB / 3 GHz	
J01005A0007	75 Ω		Z04	f-f; HDTV ≥ 30 dB / 3 GHz Bu-Bu; HDTV ≥ 30 dB / 3 GHz	
J01005A0008	75 Ω		Z04	Bu-Bu insulating flange; HDTV ≥ 30 dB / 3 GHz Bu-Bu Isolierflansch; HDTV ≥ 30 dB / 3 GHz	
B00031D1275		insulator, colour: transparent Isolierscheibe, Farbe: natur	Z52		

## 1.21

### BNC Angle Adaptor

#### BNC-Winkelverbindungsstück

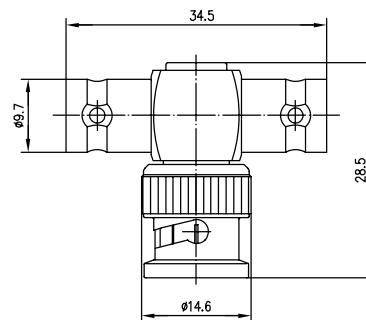


Order No. Bestell-Nr.	Z Z	Remarks Anmerkungen	MIL-Std. MIL-Std.
J01004A0617	50 Ω	m-f Sti-Bu	UG-306/U
J01005A1237	75 Ω	m-f Sti-Bu	

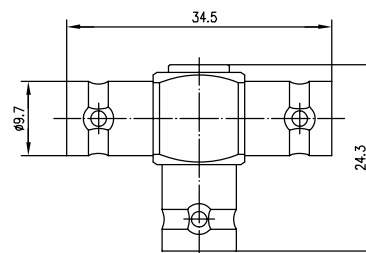
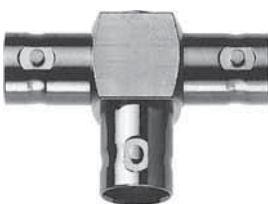
## 1.22

### BNC T Adaptor

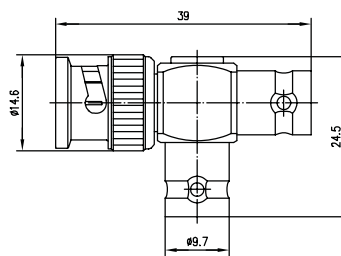
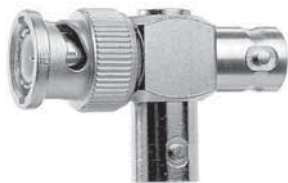
#### BNC-T-Stück



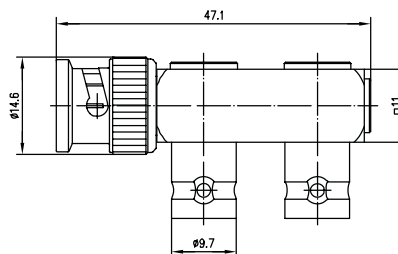
Order No. Bestell-Nr.	Z Z	Remarks Anmerkungen	MIL-Std. MIL-Std.
J01004C0616	50 Ω	f-m-f Bu-Sti-Bu	UG-274A/U
J01004F0616	50 Ω	f-m-f; low cost Bu-Sti-Bu; Low Cost	
J01005A1238	75 Ω	f-m-f Bu-Sti-Bu	



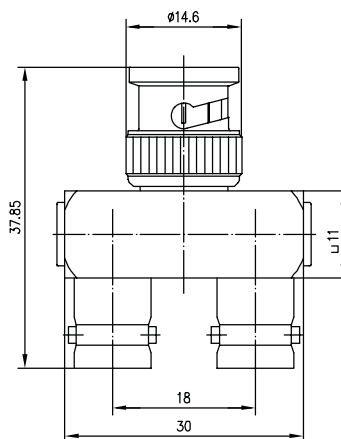
Order No. Bestell-Nr.	Z Z	Remarks Anmerkungen
J01004B0616	50 Ω	f-f-f Bu-Bu-Bu



Order No. Bestell-Nr.	Z Z	Remarks Anmerkungen
J01004A0616	50 Ω	m-f-f Sti-Bu-Bu
J01005A0004	75 Ω	m-f-f Sti-Bu-Bu



Order No. Bestell-Nr.	Z Z	Remarks Anmerkungen
J01004A0002	50 Ω	m-f-f Sti-Bu-Bu
J01005A0003	75 Ω	m-f-f Sti-Bu-Bu

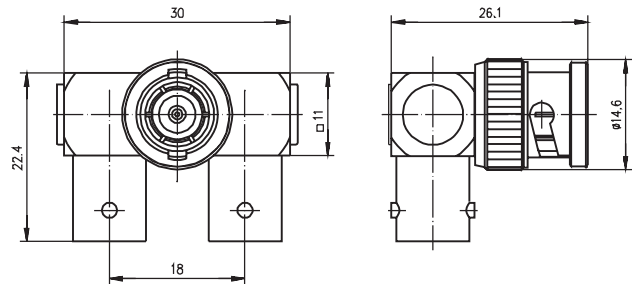
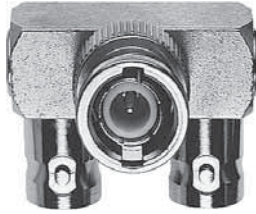


Order No. Bestell-Nr.	Z Z	Remarks Anmerkungen
J01004A0009	50 Ω	f-m-f Bu-Sti-Bu
J01005A0005	75 Ω	f-m-f Bu-Sti-Bu

## 1.22

### BNC T Adaptor

#### BNC-T-Stück

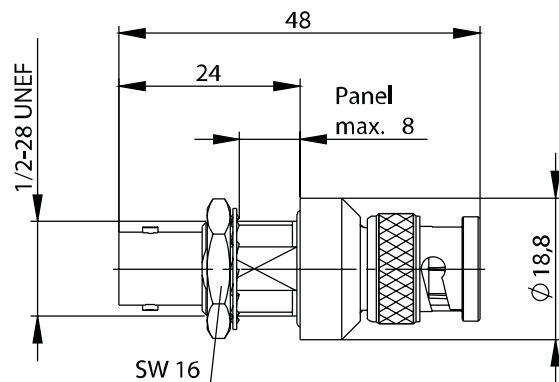


Order No. Bestell-Nr.	Z Z	Remarks Anmerkungen
J01004A0011	50 Ω	f-m-f Bu-Sti-Bu

## 1.23

### BNC Surge Suppressor

#### BNC-Überspannungsableiter

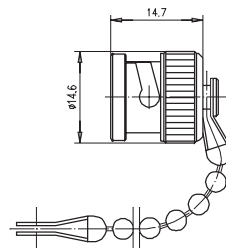


Order No. Bestell-Nr.	Technical Information Technische Daten	Remarks Anmerkungen	Mount. dim. Einbaumaß
J01007A0002	6 GHz	m-f, Sti-Bu, Einbau	Z04

## 1.24

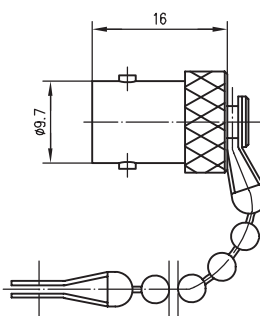
### BNC Dust Cap

#### BNC-Abdeckkappe



Order No. Bestell-Nr.	Remarks Anmerkungen	MIL-Std. MIL-Std.
H00000A1239	m Sti	CW-123/U

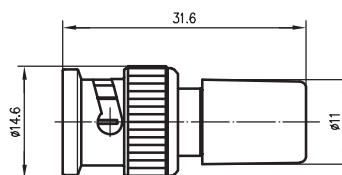




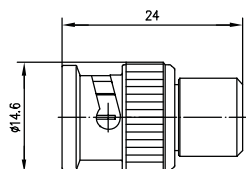
Order No. Bestell-Nr.	Remarks Anmerkungen	MIL-Std. MIL-Std.
H00000A1943	f Bu	CW-282/U

**BNC Termination Loads  
BNC-Abschlusswiderstand**

1.25



Order No. Bestell-Nr.	Z Z	Technical Information Technische Daten	Remarks Anmerkungen
J01006A1268	50 $\Omega$	0.5 W; 100 MHz; $\geq 20$ dB	m; 1% Sti; 1%
J01006A0001	75 $\Omega$	0.5 W; 100 MHz; $\geq 20$ dB	m; 0.1% Video RGB; green indicator Sti; 0.1% Video RGB; Kennzeichnung grün
J01006A1269	75 $\Omega$	0.5 W; 100 MHz; $\geq 20$ dB	m; 1% Sti; 1%
J01006A1373	93 $\Omega$	0.5 W; 100 MHz; $\geq 20$ dB	m; 1% Sti; 1%



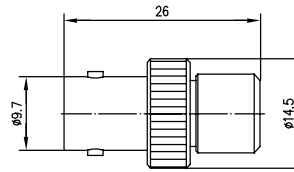
Order No. Bestell-Nr.	Z Z	Technical Information Technische Daten	Remarks Anmerkungen
J01006A0020	50 $\Omega$	1 W; 2.5 GHz; $\geq 20$ dB	m Sti

1.25

## 1.25

### BNC Termination Loads

#### BNC-Abschlusswiderstand

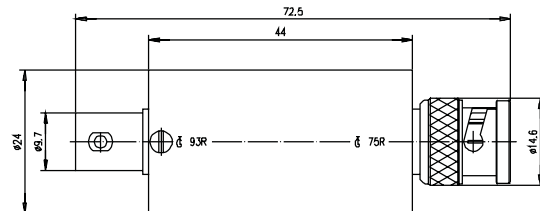


Order No. Bestell-Nr.	Z Z	Technical Information Technische Daten	Remarks Anmerkungen
J01006A0021	50 Ω	1 W; 2.5 GHz; ≥ 20 dB	f Bu

## 1.26

### BNC Empty Box

#### BNC-Leergehäuse

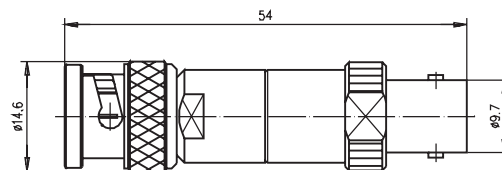


Order No. Bestell-Nr.	Remarks Anmerkungen
J01008A0807	f-m empty box Bu-Sti Leergehäuse

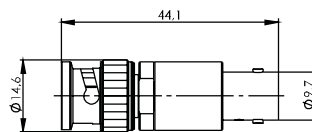
## 1.27

### BNC Attenuator/Through Termination

#### BNC-Dämpfungsglied / Durchgangsabschluss



Order No. Bestell-Nr.	Z Z	Attenuation Dämpfung	Max. Frequency Max. Frequenz	Max. Power Max. Leistung	Return Loss Return Loss	Remarks Anmerkungen
J01006A0834	50 Ω	3 dB	1 GHz	0.5 W	>20 dB	BNC Attenuator; m-f BNC-Dämpfungsglied; Sti-Bu
J01006A0835	50 Ω	6 dB	1 GHz	0.5 W	>20 dB	BNC Attenuator; m-f BNC-Dämpfungsglied; Sti-Bu
J01006A0836	50 Ω	10 dB	1 GHz	0.5 W	>20 dB	BNC Attenuator; m-f BNC-Dämpfungsglied; Sti-Bu
J01006A0837	50 Ω	20 dB	1 GHz	0.5 W	>20 dB	BNC Attenuator; m-f BNC-Dämpfungsglied; Sti-Bu
J01006A0013	50 Ω		1 GHz	0.5 W		BNC Through Termination; m-f BNC-Durchgangsabschluss; Sti-Bu
J01006A0014	75 Ω		1 GHz	0.5 W		BNC Through Termination; m-f BNC-Durchgangsabschluss; Sti-Bu



Order No. Bestell-Nr.	Attenuation Dämpfung	Max. Frequency Max. Frequenz	Max. Power Max. Leistung	Return Loss Return Loss	Remarks Anmerkungen
J01006A0022	3 dB	6 GHz	2 W	27 dB/4 GHz; 23 dB/6 GHz	m-f Sti-Bu
J01006A0023	6 dB	6 GHz	2 W	27 dB/4 GHz; 23 dB/6 GHz	m-f Sti-Bu
J01006A0024	10 dB	6 GHz	2 W	27 dB/4 GHz; 23 dB/6 GHz	m-f Sti-Bu
J01006A0025	20 dB	6 GHz	2 W	27 dB/4 GHz; 23 dB/6 GHz	m-f Sti-Bu

## BNC Patch Panel BNC-Rangierverteiler

1.28



Order No. Bestell-Nr.	Remarks Anmerkungen	Mount. dim. Einbaumaß
H02030A0451	19" Patch Panel Economy V 1 HU for 16 BNC Bulkhead Adaptors (1x16) or Bulkhead Jacks 19" Rangierverteiler Economy V 1 HE für 16 BNC Einbaukupplungen (1x16) oder Kabeleinbaubuchsen	Z04
H02030A0452	19" Patch Panel Economy V 1 HU for 24 BNC Bulkhead Adaptors (2x12) 19" Rangierverteiler Economy V 1 HE für 24 BNC Einbaukupplungen (2x12)	Z04
H02031A0067	19" Patch Panel Economy V 2 HU for 48 BNC Bulkhead Adaptors (3x16) 19" Rangierverteiler Economy V 2 HE für 48 BNC Einbaukupplungen (3x16)	Z04
H02031A0068	19" Patch Panel Economy V 2 HU for 64 BNC Bulkhead Adaptors (4x16) 19" Rangierverteiler Economy V 2 HE für 64 BNC Einbaukupplungen (4x16)	Z04

The BNC bulkhead adaptors (J01005A0007 or J01005A0008) alternatively bulkhead jacks for the patch panels must be ordered separately, and can be factory installed, if required. Front plates with different mounting hole patterns are available (max. number of BNC adaptors per row is 16, whereby 2 rows can be accommodated in a 1 HU, and 4 rows in a 2 HU).

Die passenden BNC Einbaukupplungen (J01005A0007 oder J01005A0008) bzw. Kabeleinbaubuchsen für die Rangierverteiler müssen separat bestellt werden und können auf Wunsch werkseitig in die Rangierverteiler eingebaut werden. Frontplatten mit anderer Lochaufteilung auf Anfrage (max. BNC Anzahl pro Reihe sind 16 Stk., wobei in 1 HE max. 2 Reihen und bei 2 HE max. 4 Reihen auf einer Frontplatte untergebracht werden können).

Order No. Bestell-Nr.	Description Bezeichnung
U01100A0010	Assembly of Adaptor in front plate Montage Kupplung in Frontplatte

1.28

BNC Patch Panel  
BNC-Rangierverteiler

Order No. Bestell-Nr.	Remarks Anmerkungen	Mount. dim. Einbaumaß
J02042A0000	19" Patch Panel Economy V 1 HU fully equiped with 24 BNC 75 $\Omega$ bulkhead adaptors (f-f) and 12 pcs in each row 19" Rangierverteiler Economy V 1 HE voll bestückt mit 24 BNC Einbauadaptern (Bu-Bu) und jeweils 12 Stk in einer Reihe	Z04
J02042A0001	19" Patch Panel Economy V 1 HU fully equiped with 16 BNC 75 $\Omega$ bulkhead adaptors (f-f) with insulated flange and 16 pcs in a row 19" Rangierverteiler Economy V 1 HE voll bestückt mit 16 BNC Einbauadaptern (Bu-Bu) mit Isolierflansch und 16 Stk in einer Reihe	Z04
J02042A0003	19" Patch Panel Economy V 1 HU fully equiped with 24 BNC 75 $\Omega$ bulkhead adaptors (f-f) with insulated flange and 12 pcs in each row 19" Rangierverteiler Economy V 1 HE voll bestückt mit 24 BNC Einbauadaptern (Bu-Bu) mit Isolierflansch und jeweils 12 Stk in einer Reihe	Z04
J02044A0002	19" Patch Panel Economy V 2 HU fully equiped with 48 BNC 75 $\Omega$ bulkhead adaptors (f-f) with insulated flange and 16 pcs in each row 19" Rangierverteiler Economy V 2 HE voll bestückt mit 48 BNC Einbauadaptern (Bu-Bu) mit Isolierflansch und jeweils 16 Stk in einer Reihe	Z04