

Multi-band Bidirectional Antenna

Vertical Polarization

Half-power Beam Width

806–960/1710–2170

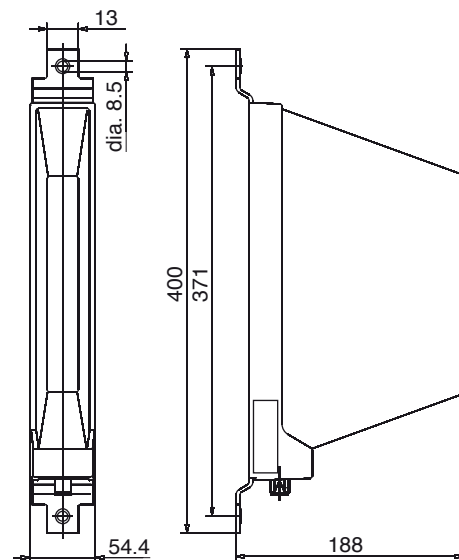
V

65°

KATHREIN
Antennen · Electronic

VPol BiDir 806–960/1710–2170 65° 5dBi

Type No.	738 445	738 446
Input	1 x 7-16 female	1 x N female
Frequency range	806 – 960 MHz, 1710 – 2170 MHz	
VSWR	< 1.7 (806 – 824 MHz) < 1.5 (824 – 960 / 1710 – 2170 MHz)	
Gain	806 – 960 MHz: 5 dBi 1710 – 1880 MHz: 5.5 dBi 1880 – 2170 MHz: 6.5 dBi	
Impedance	50 Ω	
Polarization	Vertical	
Max. power (total)	200 W (at 50 °C ambient temperature)	
Weight	0.8 kg	
Wind load	Frontal: 25 N (at 150 km/h) Lateral: 65 N (at 150 km/h) Rearside: 35 N (at 150 km/h)	
Max. wind velocity	200 km/h	
Packing size	422 x 212 x 95 mm	
Height/width/depth	312 / 55 / 188 mm	



All dimensions in mm

Material: Radiator: Tin plated copper.
Reflector: Weather-proof aluminum.
Radome: High impact plastic, colour: Grey.
All screws and nuts: Stainless steel.

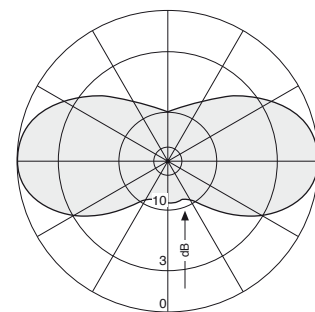
Mounting: Wall mounting: No additional mounting kit needed.
For pipe mast mounting use clamps listed below (order separately).

Ice protection: The radiating system is protected by the radome. Due to its very sturdy construction, the antenna remains operational even under icy conditions.

Grounding: All metal parts of the antenna as well as the inner conductor are DC grounded.

Accessories (order separately)

Type No.	Description	Remarks	Weight approx.	Units per antenna
734 360	2 clamps	Mast: 34 – 60 mm diameter	60 g	1
734 361	2 clamps	Mast: 60 – 80 mm diameter	70 g	1
734 362	2 clamps	Mast: 80 – 100 mm diameter	80 g	1
734 363	2 clamps	Mast: 100 – 120 mm diameter	90 g	1
734 364	2 clamps	Mast: 120 – 140 mm diameter	110 g	1
734 365	2 clamps	Mast: 45 – 125 mm diameter	80 g	1



Typical Horizontal Pattern

936.1870/d Subject to alteration.